

HPS2510F, 3212F, 4014F, 5020F series



HPS 5020F

Symbol				
Electrical connection				
Nil	G	T	D	Z

Process Valve

How to Order

HPS 3212 F - AC220V

①
②
③

① Orifice & Port size

	Orifice	Port size
2510	Ø25	1
3212	Ø32	1 1/4
4014	Ø40	1 1/2
5020	Ø50	2

② Electrical connection

Nil	Console box (Standard)
G	Grommet coil
T	Terminal box
D	DIN coil + DIN connector
Z	DIN coil + DIN connector & lamp

③ Voltage

AC110V	AC110V 50Hz/60Hz
AC220V	AC220V 50Hz/60Hz
DC24V	DC24V
AC220V-50Hz	AC 220V 50Hz
AC240V-50Hz	AC 240V 50Hz
AC24V-50Hz	AC 24V 50Hz

2Port Small

HDA

HDA G

KAB

HDA N.O

W, A (N.C)

HDW

HAW

HPW

W, A (N.O)

HVD

HPW

Specifications

Classification	Standard	Option	Classification	Standard	Option
Fluid	Air, Steam, Hot water		Voltage	AC100V 50/60Hz AC110V 60Hz AC200V 50/60Hz AC220V 60Hz DC24V	AC220V 50Hz AC240V 50Hz AC 24V 50Hz
Fluid temp.	0 ~ 180°C				
Ambient temp.	50°C (Max.)				
Pressure range	0.5 ~ 7kgf/cm ² (0.05 ~ 0.7MPa)		Allowable voltage fluctuation	±10%(AC), ±5% (DC)	
Coil insulation	Class H		Power consumption	AC, DC : 14W	
Electrical connection	Lead wire	Grommet coil Terminal box DIN connector	Body material	Bronze, Brass	
End connection	JIS 10K FF		Seal material	PTFE + SUS 304 PISTON	
Orifice	Ø25, Ø32, Ø40, Ø50		Weight	Refer to the table below	

※ Not available in explosive atmosphere.

Features

- Piston pilot type
- Normally closed type
- Max temperature 180°C, large capacity
- Fire resistant structure

Applications

- Steam piping
- Dyeing machine
- Sterilizer
- Steam presser
- Heat exchanger
- Industrial cleaner

S, H (NC)

HDS

HPS

S, H (NO)

HSV

HPS

High Pressure

HPW

(20kgf/cm²)

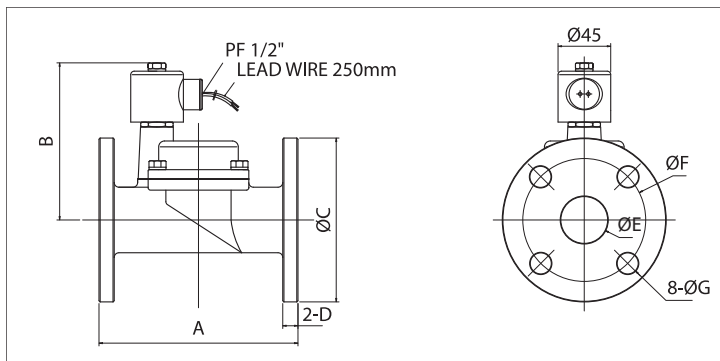
HPM

(20kgf/cm²)

HPW

(60kgf/cm²)

Dimensions



Model	A	B	C	D	E	F	G	Weight (kg)
HPS 2510	127	115.1	Ø125	13	Ø25	Ø90	Ø18	4.4
HPS 3212	170	135	Ø135	13	Ø40	Ø100	Ø18	6.6
HPS 4014	170	135	Ø140	13	Ø40	Ø105	Ø18	6.55
HPS 5020	180	145	Ø145	14	Ø50	Ø120	Ø18	8.5

Direct Acting

HKW

HKS

SUS Type

HDA

HDW

HVS

HSR

HDC

HPW

HPS6524F series



HPS 6524F

Symbol				
Electrical connection				
Nil	G	T	D	Z

How to Order

HPS 65 24 F - AC220V

①
 ②
 ③
 ④

① Orifice

65	Ø65
----	-----

② Port size

24	2 1/2
----	-------

③ Electrical connection

Nil	Console box (Standard)
G	Grommet coil
T	Terminal box
D	DIN coil + DIN connector
Z	DIN coil + DIN connector & lamp

④ Voltage

AC110V	AC110V 50Hz/60Hz
AC220V	AC220V 50Hz/60Hz
DC24V	DC24V
AC220V-50Hz	AC 220V 50Hz
AC240V-50Hz	AC 240V 50Hz
AC 24V-50Hz	AC 24V 50Hz

Specifications

Classification	Standard	Option	Classification	Standard	Option
Fluid	Air, Steam, Hot water		Voltage	AC100V 50/60Hz	AC220V 50Hz
Fluid temp.	0 ~ 180 °C			AC110V 60Hz	
Ambient temp.	50 °C (Max.)			AC200V 50/60Hz	
Pressure range	0.5 ~ 7kgf/cm ² (0.05 ~ 0.7MPa)		AC220V 60Hz	AC240V 50Hz	AC 24V 50Hz
Coil insulation	Class H		DC24V	Allowable voltage fluctuation	
Electrical connection	Lead wire	Grommet coil Terminal box DIN connector	±10%(AC), ±5% (DC)		
End connection	JIS 10K FF		Power consumption	AC, DC : 14W	
Orifice	Ø65		Body material	Bronze	
			Seal material	PTFE + SUS 304 PISTON	
			Weight	14.3kg	

* Not available in explosive atmosphere.

Features

- Piston pilot type
- Normally closed type
- Max temperature 180 °C, large capacity
- Fire resistant structure

Applications

- Steam piping
- Steam presser
- Industrial cleaner
- Heat exchanger
- Sterilizer
- Ventilator

Dimensions

