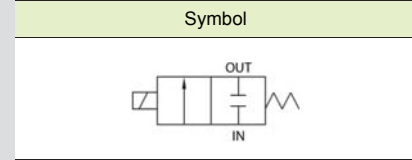


KAB21 series



KAB21-02-02-AC110V



How to Order

KAB21 - 02 - 02 - - AC220V

① ② ③ ④ ⑤

① Port type

Nil	Rc(PT) (Standard)
G	G

② Port size

02	1/4
----	-----

③ Orifice

01	Ø1.5
02	Ø2 Standard
03	Ø3
04	Ø4

④ Seal material

	Material	Applications
Nil	NBR	Standard
M	FPM	Chemical, Hot water 120°C
SL	SILICONE	Clean water -5~60°C
E	EPDM	Hot water 100°C

⑤ Rated voltage

AC110V	AC110V 50Hz/60Hz
AC220V	AC220V 50Hz/60Hz
DC24V	DC24V
DC12V	DC12V

Specifications

Classification	Standard	Option	Classification	Standard	Option
Fluid	Air, Water, Clean oil, Inert gas		Voltage	AC110V 50/60Hz AC220V 50/60Hz DC24V, 12V	
Fluid temp.	0 ~ 60°C				
Ambient temp.	50°C (Max.)				
Pressure range	Refer to the table below		Allowable voltage fluctuation	±10% (AC), ±5% (DC)	
Coil insulation	Class B		Power consumption	AC: 8W, DC:7.5W	
Electrical connection	Lead wire		Body material	Brass	
Port size	Rc(PT) 1/4		Seal material	NBR	SILICONE, EPDM, FPM
Orifice	Ø1.5, Ø2(Standard), Ø3, Ø4		Weight	0.32Kg	

* Not available in explosive atmosphere.
* If oil is applied, the range of pressure shall be based on 50cst for oil viscosity.

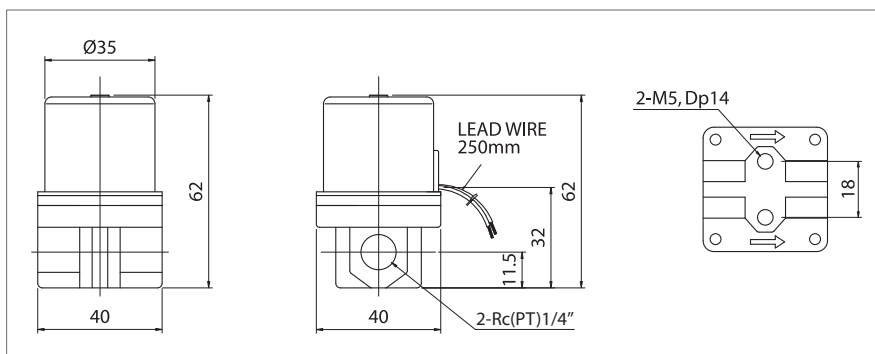
Features

- Direct acting type
- Normally closed type
- Easy to attach
- Fire resistant structure, high durability
- Seal material can be changed depending on fluid specifications.

Applications

- Water piping
- Wire cutting machine
- Medical instrument
- Water purifier
- Air conditioner
- Welding machine
- Compressor

Dimensions



Model	Orifice	Max. operating pressure (kgf/cm ²)					
		Air		Water		Oil	
		AC	DC	AC	DC	AC	DC
KAB21-02-01	Ø1.5	30	25	30	25	30	25
KAB21-02-02	Ø2	15	15	15	15	7	7
KAB21-02-03	Ø3	10	10	10	10	7	7
KAB21-02-04	Ø4	7	7	7	7	5	5