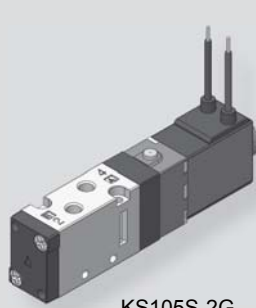
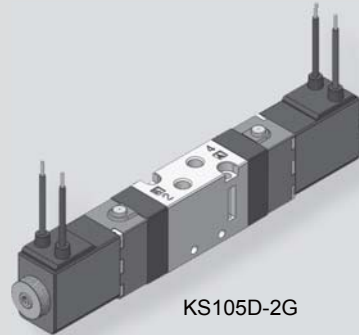


KS105 series



KS105S-2G



KS105D-2G



Solenoid Valve

Reference Data

KT100
KMF0100

KS105
KMF0500

KS210
KMF1000

KS320
KMF2000

KS530
KMF3000

KS640
KMF4000

KS524

KS534

KS328

KS341
KMF2341

KS342
KMF2342

KPS542

KCAS

KJAS

KST

How to Order

KS105 S - 2 G -

① ② ③ ④

① Function

Function	Symbol
S Single acting	
D Double acting	

② Voltage

1	AC 100/110V 50/60Hz
2	AC 200/220V 50/60Hz
3	DC 24V
4	DC 12V

* Custom made with AC24V, AC48V, DC48V, DC100V is available.

③ Electrical connection

GL	Lead wire & lamp
G	Lead wire

④ Manual override

Nil	Non-locking push type (Standard)
-----	----------------------------------

Specifications

Type	S	D
Fluid	Air, Inert gas	
Port size	M5	
Effective sectional area Smm ² (Cv)	3.6mm ² (0.2)	
Operating pressure	1.5~9kgf/cm ² (0.15~0.9MPa)	
Max. operating frequency	5 cycle/sec	
Response time {at 5kgf/cm ² (0.5MPa)}	≤ 25ms	
Lubrication	Not required	
Manual override	Non-locking push type (Standard)	
Power consumption	DC	2.5W
	AC	3.8/3.3VA (50/60Hz)
Allowable voltage	±10% rated voltage	
Ambient & fluid temperature	5°C ~ 60°C	
Coil insulation	Class F	
Applicable cylinder	Ø2.5~Ø40	
Weight	80g	120g

GL TYPE



Lead wire & lamp

G TYPE

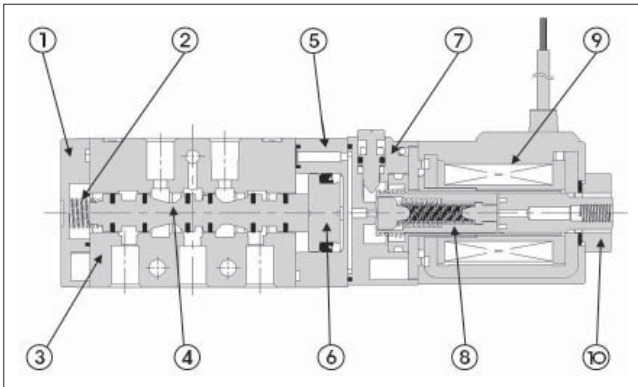


Lead wire

Features

- Excellent durability with its non-lubricated type.
- Minimized installing area with its small size.
- Perfect for controlling system by PLC or computer with its low consuming current type.

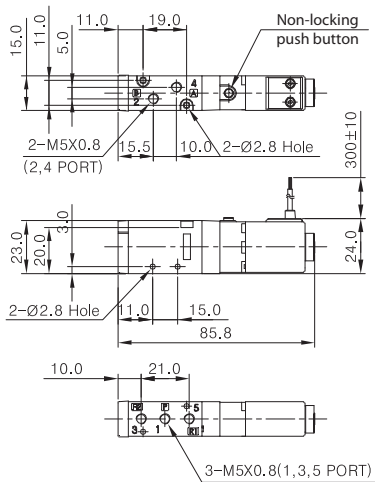
Structure



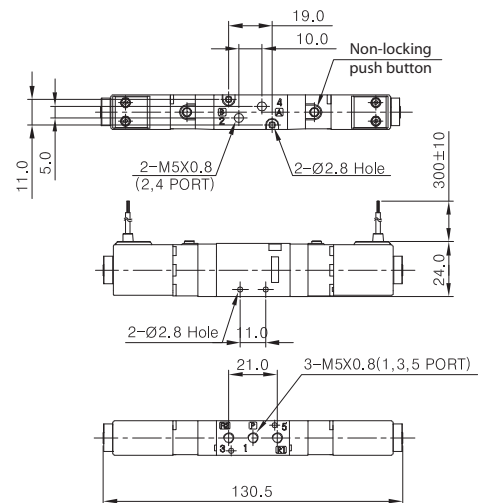
Part no.	Parts	Material
1	Cover	Metal
2	Spool Spring	SUS
3	Body	AL D/C
4	Spool Ass'y	AL & Others
5	Pilot	Plastic Resin
6	Piston	Plastic Resin
7	Seat	Plastic Resin
8	Plunger	Stainless Steel Steel
9	Coil Ass'y	CU & Others
10	Lock Nut	Metal

Dimensions

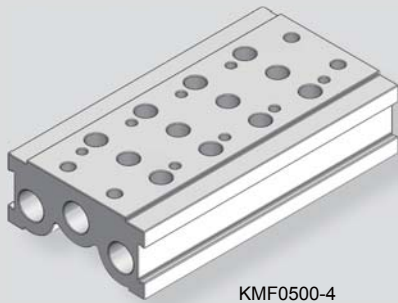
2 Position Single Pilot
KS 105S - OG



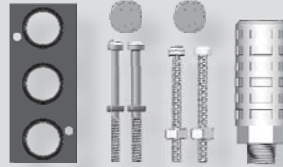
2 Position Double Pilot
KS 105D - OG



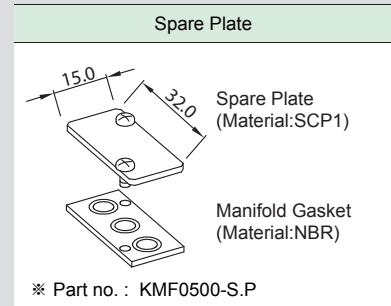
KMF0500 Manifold Block



KMF0500-4



Accessory of manifold block



How to Order

KMF0500 - 5

①

②

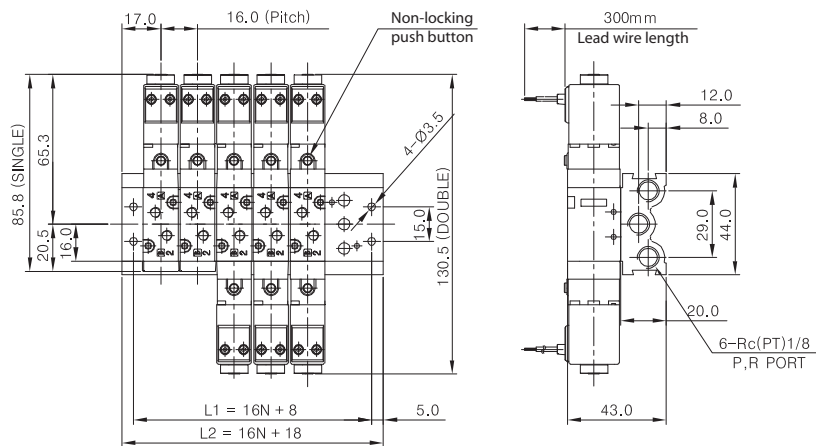
① Series

KMF0500	5 Port manifold block for KS105 series	Rc(PT) (Standard)
KMFG0500		G

② Station

2	2 Stations	5	5 Stations	8	8 Stations
3	3 Stations	6	6 Stations	9	9 Stations
4	4 Stations	7	7 Stations	10	10 Stations

Dimensions



Compatible valve						
KCC	CKD	SMC	SY	TPC	YPC	PARKER
KS105	4KA-110	VZ-3120	SV-51	-	SF1000	-

Station	2	3	4	5	6	7	8	9	10
L1	40	56	72	88	104	120	136	152	168
L2	50	66	82	116	114	130	146	162	178

Solenoid Valve

Reference Data

KT100
KMF0100

KS105
KMF0500

KS210
KMF1000

KS320
KMF2000

KS530
KMF3000

KS640
KMF4000

KS524

KS534

KS328

KS341
KMF2341

KS342
KMF2342

KPS542

KCAS

KJAS

KST