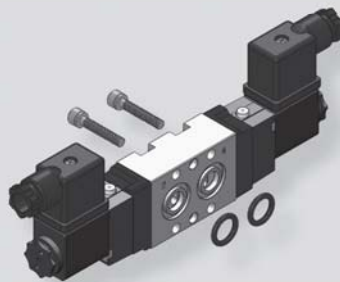


KS524 series (NAMUR Small Type)



KS524S-2GL



KS524D-2D

How to Order

KS 524 S - 1 GL -

① ② ③ ④ ⑤

① Port type

Nil	Rc(PT) (Standard)
G	G

② Function

Function		Symbol
S	Single acting	
D	Double acting	

③ Voltage

1	AC 100/110V 50/60Hz
2	AC 200/220V 50/60Hz
3	DC 24V
4	DC 12V

* Custom made with AC24V, AC48V, DC48V, DC100V is available.

④ Electrical connection

GL	Lead wire & lamp
GLS	Lead wire + lamp & surge suppressor
G	Lead wire
D	DIN coil + DIN connector
Z	DIN coil + DIN connector with lamp + Surge suppressor
GU	Lamp with 90°plug(400mm)
GP	Lamp with 180°plug(400mm)
DEXT4	Explosion proof
M	DIN coil + Metal DIN connector

⑤ Manual override

Nil	Non-locking push type (Standard)
L	Locking type

Specifications

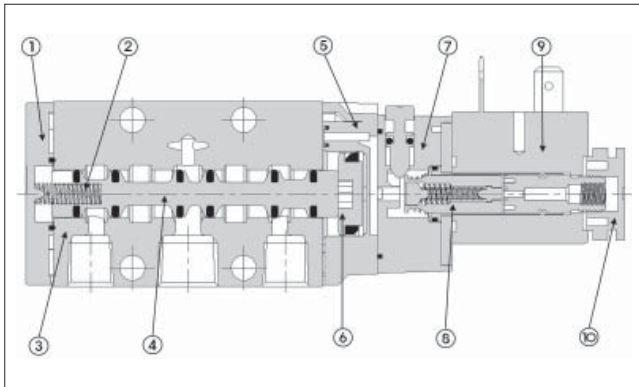
Type	S	D
Fluid	Air, Inert gas	
Port size	Rc(PT) 1/4, G 1/4	
Effective sectional area Smm ² (Cv)	19mm ² (1.0)	
Operating pressure	1.5~9kgf/cm ² (0.15~0.9MPa)	
Max. operating frequency	5 cycle/sec	
Response time {at 5kgf/cm ² (0.5MPa)}	≤ 30ms	
Lubrication	Not required	
Manual override	Non-locking push type (Standard), Locking type	
Power consumption	DC	2.8W
	AC	4.5/3.6VA (50/60Hz)
Allowable voltage	±10% rated voltage	
Ambient & fluid temperature	5°C ~60°C	
Coil insulation	Class F	
Applicable cylinder	Ø32~Ø100	
Weight	224g	316g

GL TYPE	GLS TYPE	G TYPE	D TYPE	Z TYPE	M TYPE
Lead wire & lamp	Lead wire + lamp & surge suppressor	Lead wire	DIN coil + DIN connector	DIN coil + DIN connector with lamp + Surge suppressor	DIN coil + Metal DIN connector
GU TYPE	GP TYPE	DEXT4 TYPE		LOCK TYPE	
Lamp with 90°plug	Lamp with 180°plug	Explosion proof Level of explosion-proof II 2G EEx m II T4 II 2D IP65 T 130°		Manual operation	

Features

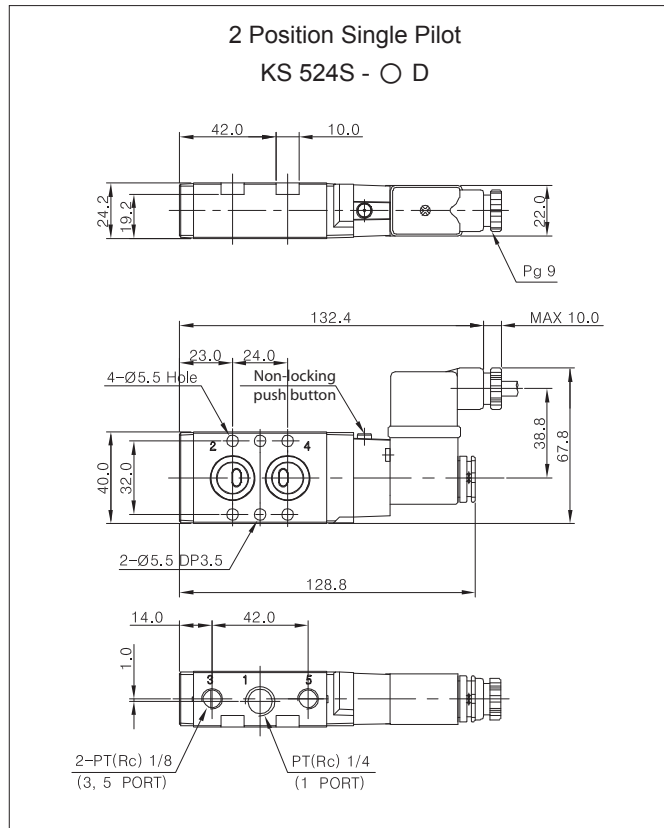
- Excellent durability with its non-lubricated type.
- Perfect for controlling system by PLC or computer with its low consuming current type.
- Large capacity valve can be used in combination with large pneumatic actuator.

Structure

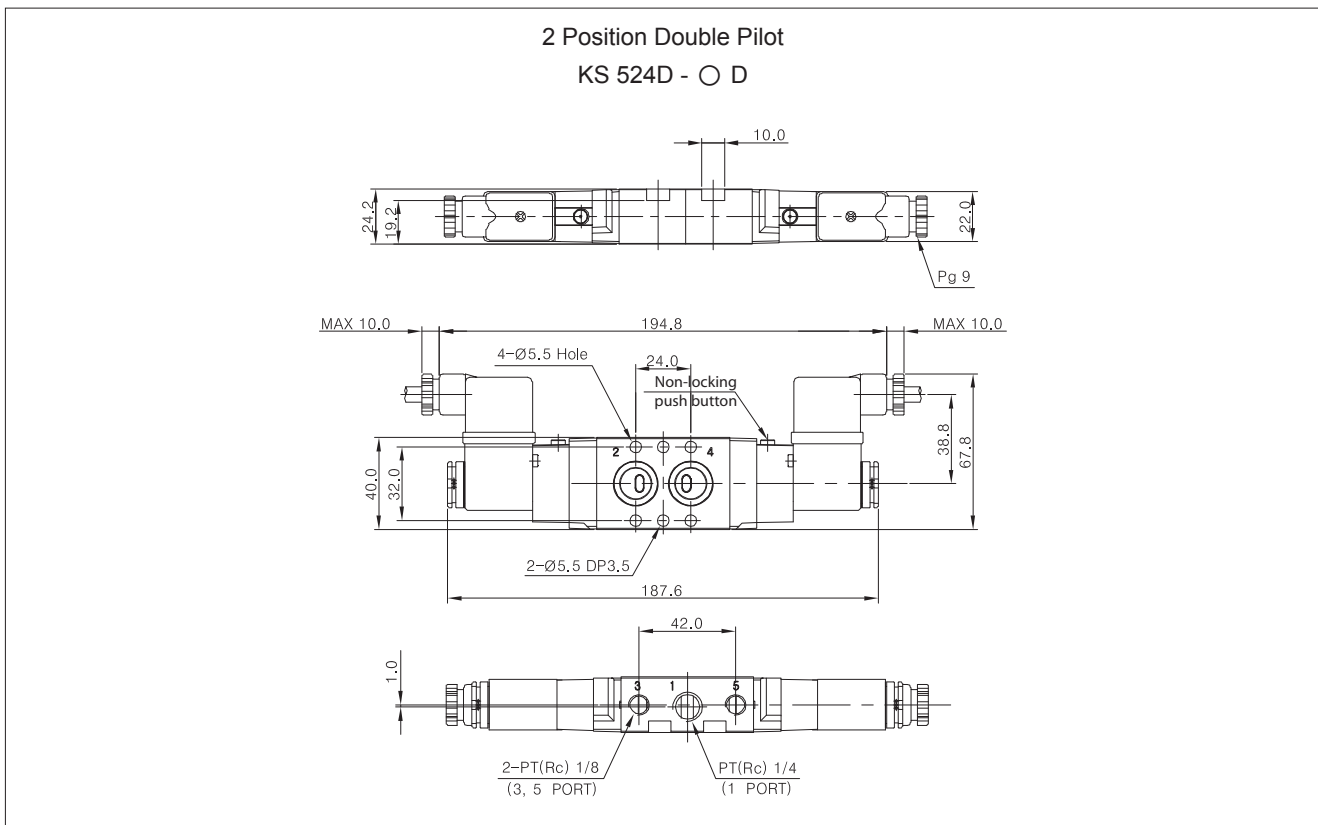


Part no.	Parts	Material
1	Cover	Plastic Resin
2	Spool Spring	SUS
3	Body	AL D/C
4	Spool Ass'y	AL & Others
5	Pilot	Plastic Resin
6	Piston	Plastic Resin
7	Seat	Plastic Resin
8	Plunger	Stainless Steel Steel
9	Coil Ass'y	CU & Others
10	Lock Nut	Plastic Resin

Dimensions



Dimensions



Solenoid Valve
Reference Data
KT100 KMF0100
KS105 KMF0500
KS210 KMF1000
KS320 KMF2000
KS530 KMF3000
KS640 KMF4000
KS524
KS534
KS328
KS341 KMF2341
KS342 KMF2342
KPS542
KCAS
KJAS
KST