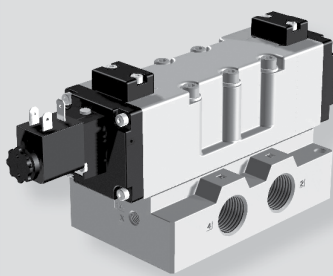
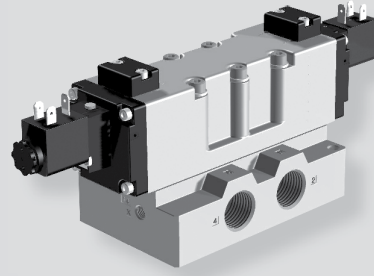


KS760 series



KS760S



KS760D

How to Order

KS 760 S - 15 - 1 GL V -

① Port type

Nil	Rc(PT) (Standard)
G	G

② Function

Function	Symbol
S Single acting	
D Double acting	
H Closed center	
I Pressure center	
J Exhaust center	

③ Port size

15	1/2	20	3/4
----	-----	----	-----

④ Voltage

1	AC 100/110V 50/60Hz
2	AC 200/220V 50/60Hz
3	DC 24V
4	DC 12V

* Custom made with AC24V, AC48V, DC48V, DC100V is available.

⑤ Electrical connection

GL	Lead wire & lamp	Z	DIN coil + DIN connector with lamp + Surge suppressor
GLS	Lead wire + lamp & surge suppressor	ZUL	DIN coil + DIN connector with lamp + Surge suppressor (UL Approval)
G	Lead wire	GU	Lamp with 90° plug(400mm)
D	DIN coil + DIN connector	GP	Lamp with 180° plug(400mm)
DUL	DIN coil + DIN connector (UL Approval)	DEXT4	Explosion proof
		M	DIN coil + Metal DIN connector

⑥ Coil direction

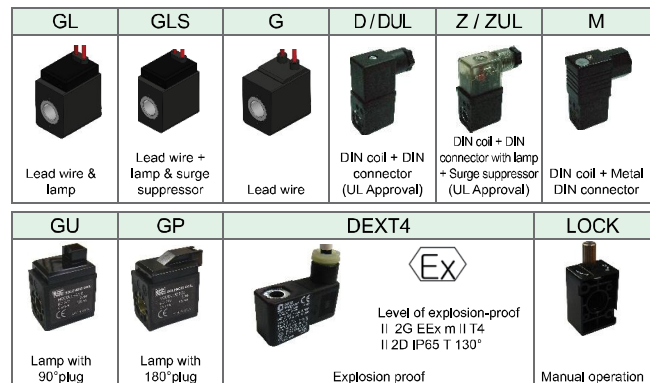
V	Vertical
H	Horizontal * only for single acting & double acting type.

⑦ Manual override

Nil	Non-locking push type (Standard)
L	Locking type

Specifications

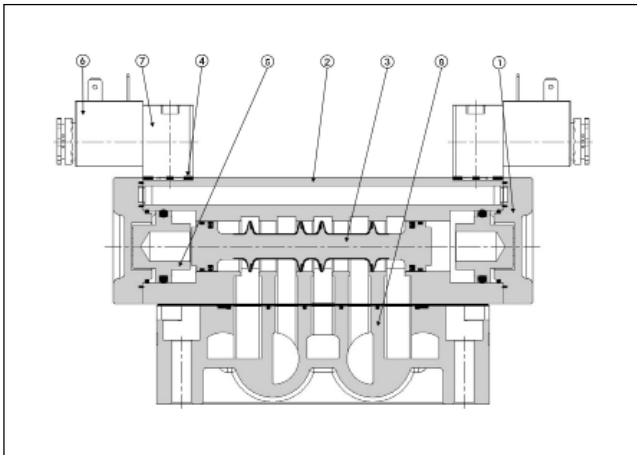
Type	S	D	H / I / J
Fluid	Air, Inert gas		
Port size	Rc(PT) 1/2, 3/4, G 1/2, 3/4		
Effective sectional area Smm ² (Cv)	92mm ² (5)		82mm ² (4.4)
Operating pressure	1.5~10kgf/cm ² (0.15~1.0MPa)		
Response time (at 0.5MPa)	≤ 200ms		≤ 300ms
Lubrication	Not required		
Manual override	Non-locking push type(Standard), Locking type		
Power consumption	DC	6.0W	
	AC	5.0/4.0VA (50/60Hz)	
Allowable voltage	±10% rated voltage		
Ambient & fluid temperature	5°C ~ 60°C		
Coil insulation	Class F		
Applicable cylinder	ø140 ~ ø300		
Weight	2000g	2150g	2300g



Features

- Mounting position of coil, upper type(standard) and lateral type(H-Type) is selectable according to its mounting space.
- High-flow valve adopts subplate piping method.
- Applicable to large pneumatic cylinder(ø140 ~ ø300)
- Common mounting hole size which is compatible with other brand product.

Structure

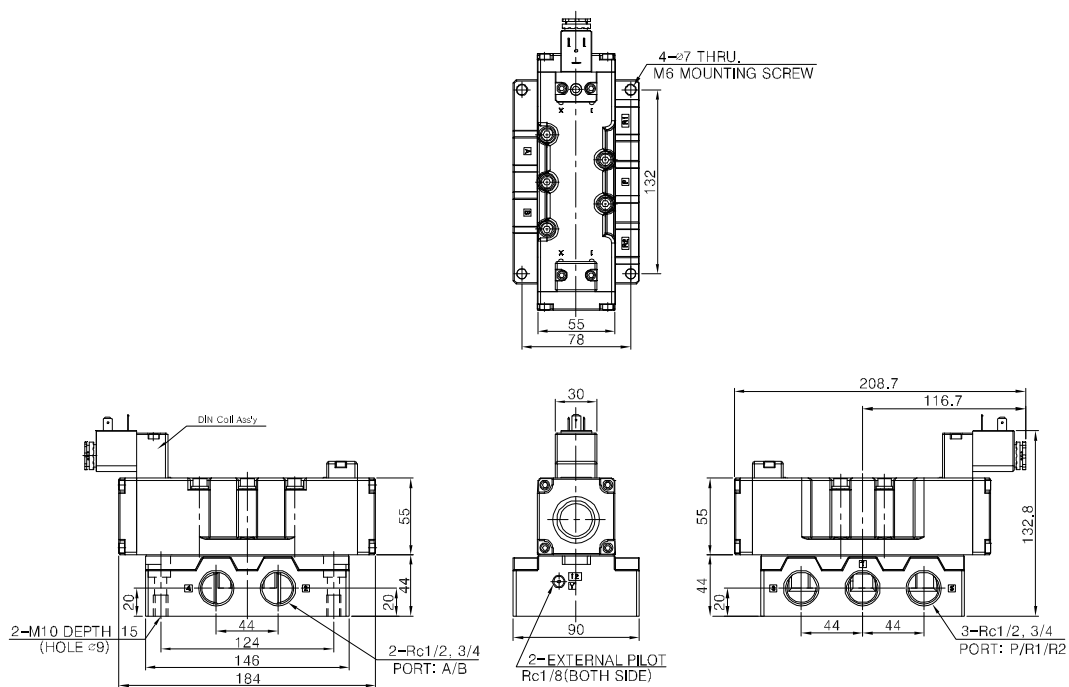


Part no.	Parts	Material
1	Cover	PPS GF40% (Black)
2	Body	AL D/C
3	Spool	A2011BD
4	Seat Gasket	NBR
5	Piston	AL
6	Coil Ass'y	-
7	Coil	Plastic Resin
8	Base Gasket	NBR

Solenoid Valve
Reference Data
KT100 KMF0100
KS105 KMF0500
KS210 KMF1000
KS320 KMF2000
KS530 KMF3000
KS640 KMF4000
KS524
KS534
KS328
KS760
KS341 KMF2341
KS342 KMF2342
KPS542
KCAS
KJAS

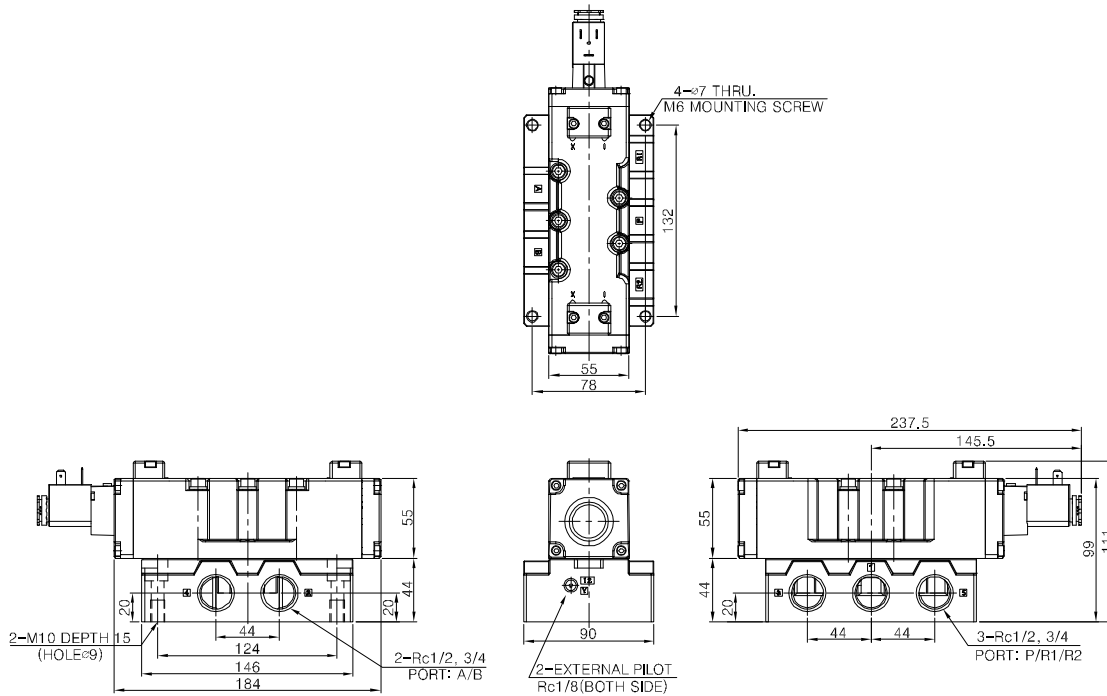
Dimensions

KS760S- ○ - ○ V

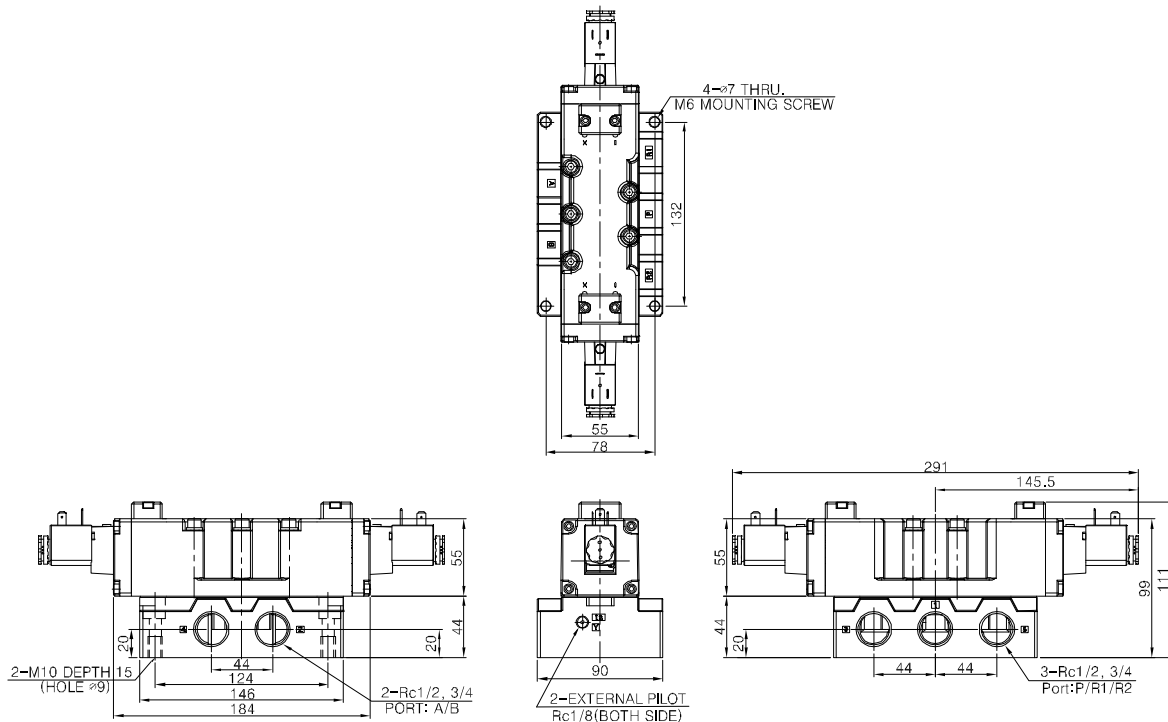


Dimensions

KS760S- ○ - ○ H

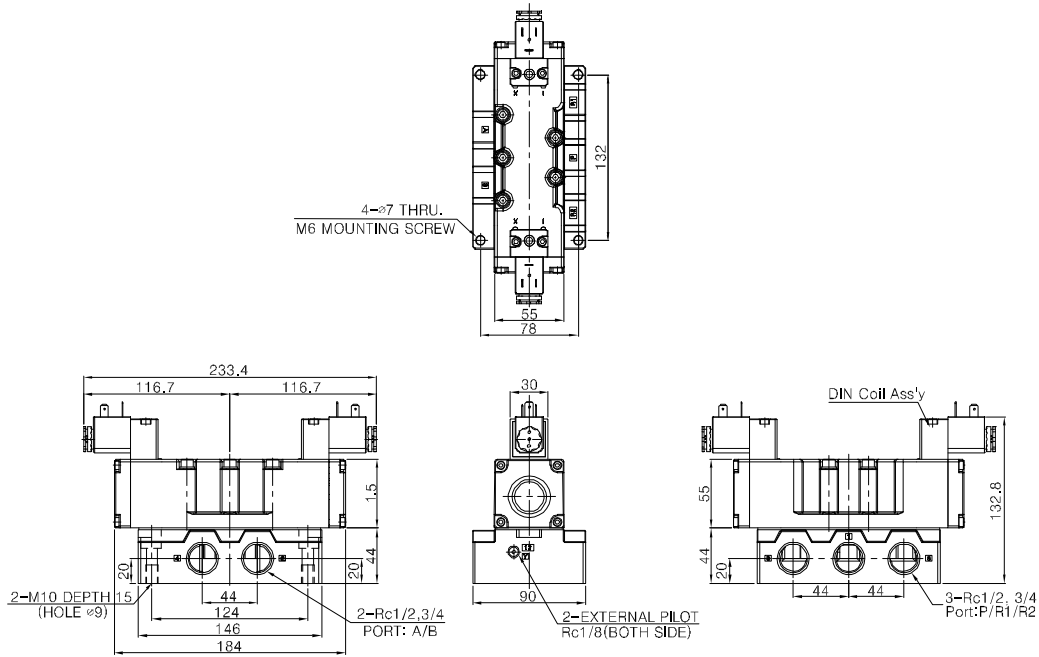


KS760D- ○ - ○ H

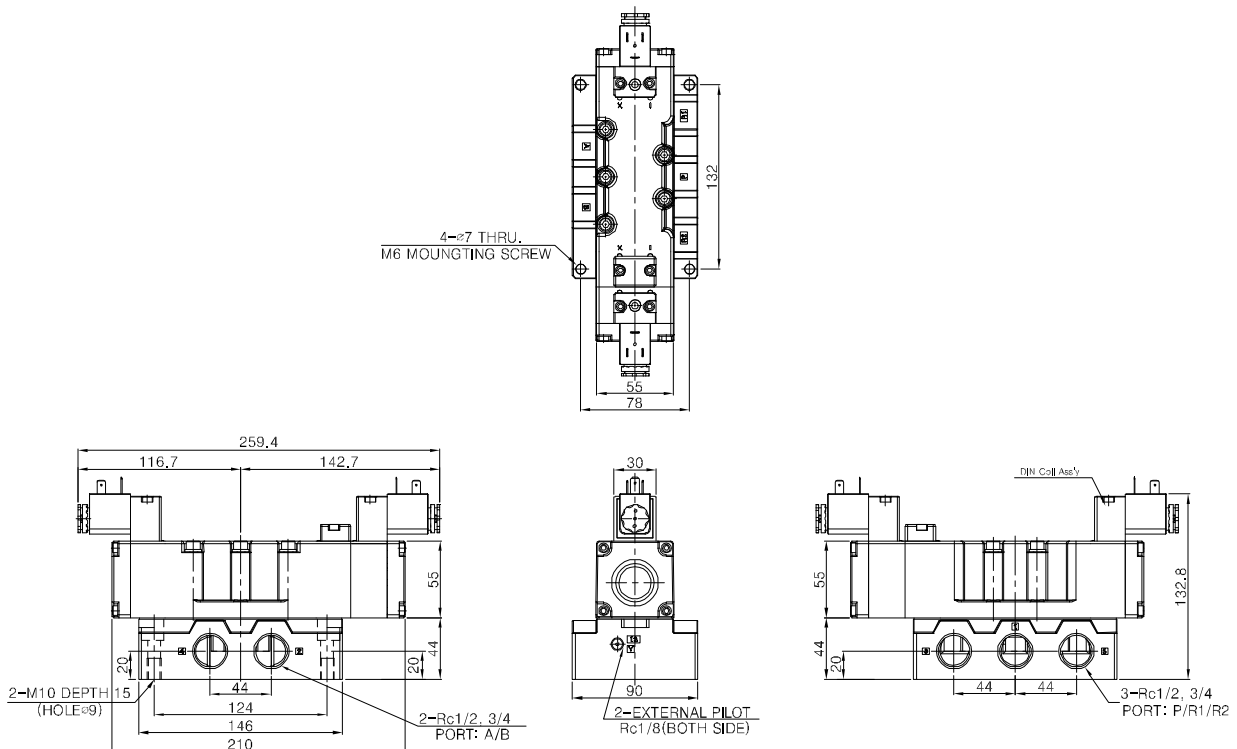


Dimensions

KS760D- ○ - ○V



KS760H - ○ - ○V



Solenoid Valve

Reference Data

KT100
KMF0100

KS105
KMF0500

KS210
KMF1000

KS320
KMF2000

KS530
KMF3000

KS640
KMF4000

KS524

KS534

KS328

KS760

KS341
KMF2341

KS342
KMF2342

KPS542

KCAS

KJAS