

Air Regulator for High Pressure (SAR)

SAR200H~600H Series

- Highly durable materials are used in the manufacturing of air regulators intended for high pressure operation.



SAR200H



SAR300H



SAR400H



SAR600H

How to order

SAR 4 00 H - 04 BG

① Air Regulator

② Body Size

2 - 1/4
3 - 3/8
4 - 1/2
6 - 1

③ for high pressure

④ Thread type

Nil - Rc(PT)
N - NPT
G - G(PF)

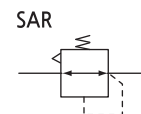
⑤ Port Size

| 기호 | 사이즈 | 몸체 사이즈 | | | |
|----|-----|--------|---|---|---|
| | | 2 | 3 | 4 | 6 |
| 01 | 1/8 | ● | | | |
| 02 | 1/4 | ● | ● | | |
| 03 | 3/8 | | ● | | |
| 04 | 1/2 | | | ● | |
| 06 | 3/4 | | | ● | ● |
| 10 | 1 | | | | ● |

⑥ Accessory(Optional)

Nil - None Bracket / None Gauge(Adapter Only)
B - Bracket
G - Gauge(Round type)

Symbol



Specification

| | | | | |
|-------------------------|-------------------------|---------|---------|---------|
| Fluid | Compressed Air | | | |
| Max. supply pressure | 30bar (3MPa) | | | |
| Max. operating pressure | 20bar (2MPa) | | | |
| Ambient and Media temp. | -5 ~ 60°C (No freezing) | | | |
| Regulating range | 1~17bar (0.1~1.7MPa) | | | |
| Gauge port | SAR200H | SAR300H | SAR400H | SAR600H |
| | 1/8 | | 1/4 | |
| Construction | Relief type | | | |

Precautions

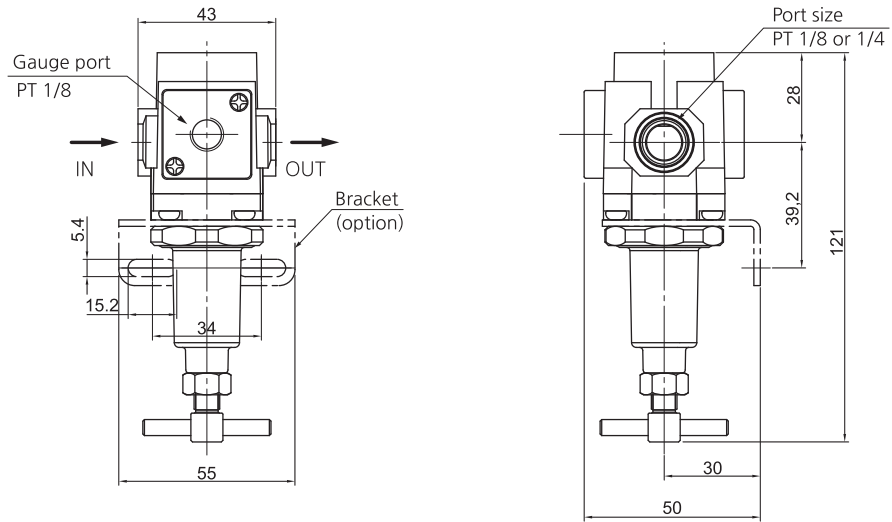
- Set the outlet pressure range for the regulator in a range that is 85% or less of the inlet pressure. If set above 85%, the inlet pressure will be easily effected by fluctuations in the flow rate and inlet pressure, and will become unstable.
- To set the pressure using the knob, turn the knob in the direction that increases pressure and lock the knob after the pressure is set. If this is done in the direction that decreases pressure, the pressure may drop from the original set pressure. Turning the knob clockwise increases the outlet pressure, and turning it counterclockwise reduces the pressure.
- Please contact SKP when a circuit requires the use of a regulator having relief sensitivity with high precision and setting accuracy.
- Residual pressure release (outlet pressure release) is not complete by releasing the inlet pressure. To release residual pressure, select a model with a back flow mechanism.

Series SAR200H~600H

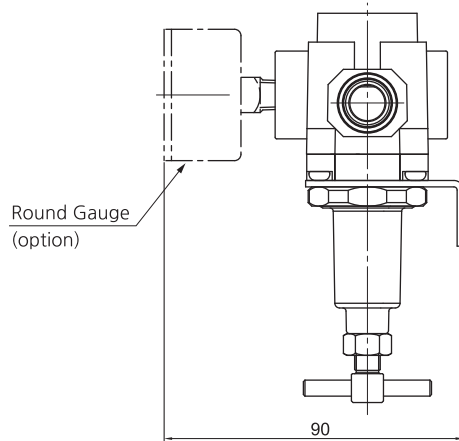
DIMENSIONS (mm)



SAR 200H

- SAR200H-□02□□



- Dimensions of each model with an option attached



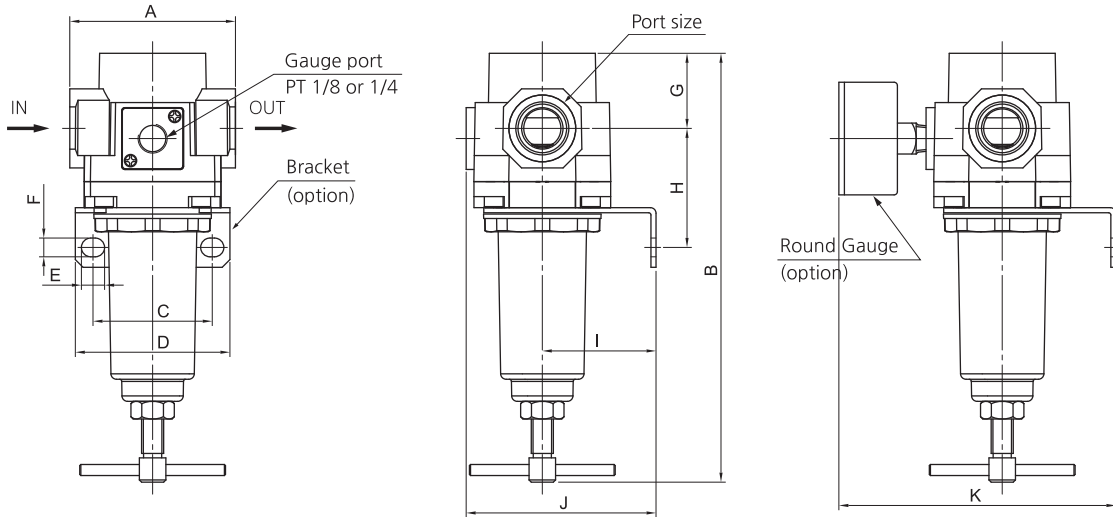
| Option | G : Round type Gauge | B : Bracket |
|--------|---|---|
| Model |  Gh40, R1/8 |  B220 |



Air Regulator for High Pressure

DIMENSIONS (mm)

SAR 300H~400H

- SAR300H□-□03□□
- SAR400H□-□04(06)□□



| Option | G : Round type Gauge | B : Bracket |
|--------|---|---|
| Model |  SAR300H : Gh40, R1/8 SAR400H : Gh50, R1/4 |  SAR300H : B320 SAR400H : B420 |

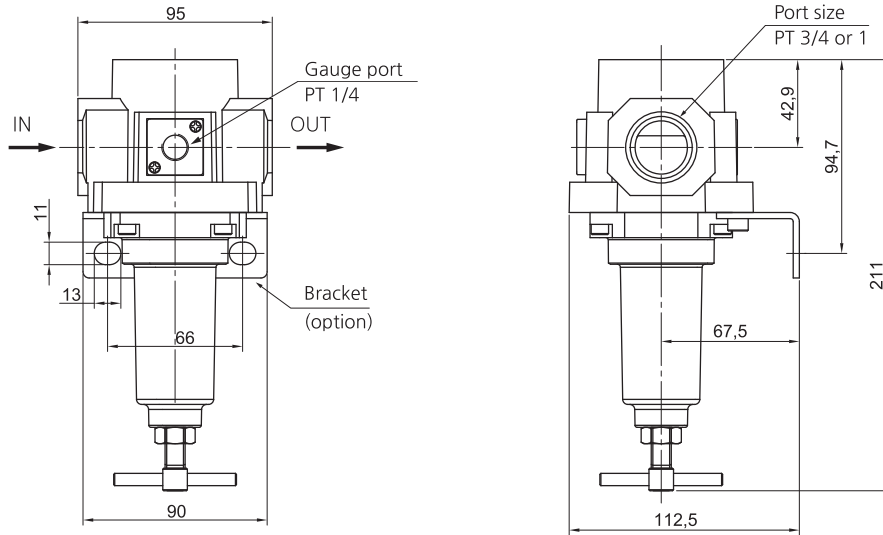
| Model | Port size | A | B | C | D | E | F | G | H | I | J | K |
|------------|-----------|----|-----|----|----|------|-----|------|------|----|----|-----|
| SAR300H-03 | 1/4, 3/8 | 57 | 164 | 40 | 53 | 8 | 6.5 | 28.4 | 45.7 | 41 | 72 | 107 |
| SAR400H-04 | 1/2 | 75 | 188 | 54 | 70 | 10.5 | 8.5 | 34 | 54 | 50 | 86 | 127 |
| SAR400H-06 | 3/4 | 75 | 190 | 54 | 70 | 10.5 | 8.5 | 34.5 | 55.5 | 50 | 86 | 127 |

Series SAR200H~600H

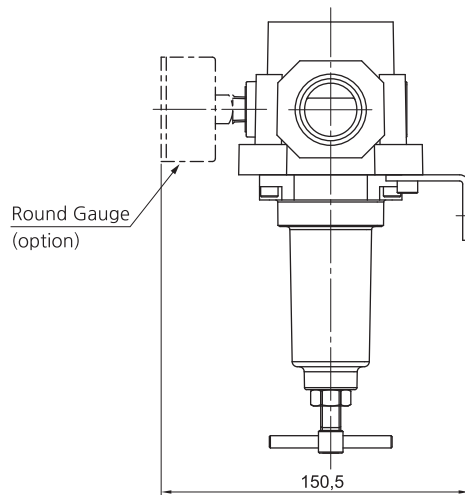
DIMENSIONS (mm)


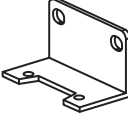
SAR 600H

- SAR600H□-□06□□
- SAR600H□-□10□□



- Dimensions of each model with an option attached



| Option | G : Round type Gauge | B : Bracket |
|--------|---|---|
| Model |  Gh50, R1/4 |  B600 |