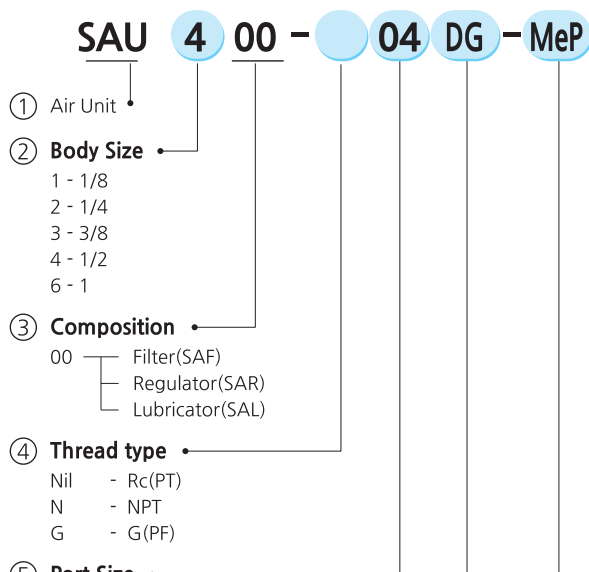


# Air Unit (SAU)

Air Filter + Air Regulator + Air Lubricator



## How to order



Symbol	Size	Body size				
		1	2	3	4	6
M5	M5	●				
01	1/8		●			
02	1/4		●	●		
03	3/8			●		
04	1/2				●	
06	3/4				●	●
10	1					●

- ⑥ Accessory(Optional)
  - Nil - None gauge / Manual Drain
  - D - Auto Drain

Symbol	Description	Body				
		1	2	3	4	6
D	One-touch fitting type	●	●	●	●	●
Dn	Nipple type	-	-	●	●	●
Df	SAF200 Float type	-	●	-	-	-

※ 1. SAF100 and SAF200 are differential pressure type.  
 2. SAF300~600 are float type.

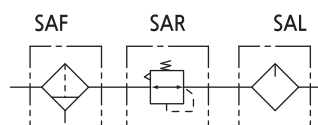
G - Gauge

G	Round type gauge
Gs	Square embedded type

※ SAU100 is available only round type gauge.

- ⑦ Bowl
  - Nil - Polycarbonate bowl with Nylon guard
  - PcS - Polycarbonate bowl with Steel guard
  - MeP - Metal bowl with pipe type sight glass

## Symbol



## Specification

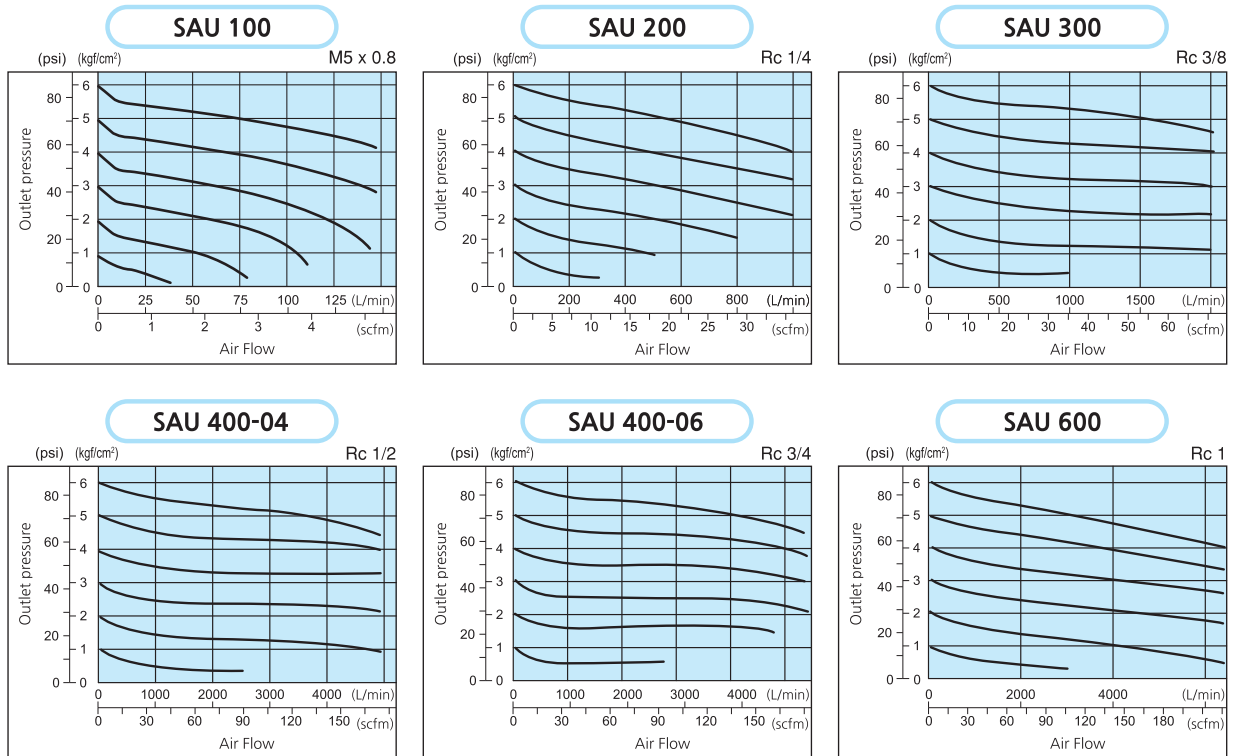
Composition	Filter + Regulator + Lubricator
Fluid	Compressed Air
Max. operating pressure	10bar (1.0MPa)
Max. supply pressure	15bar (1.5MPa)
Ambient and Media temp.	-5~60°C (No freezing)
Regulating range(SAR)	0.5~8.5bar (0.05~0.85MPa)
Filtration(SAF)	10µm (option: 2, 5, 20, 40)
Recommended oil(SAL)	Turbin oil (ISO VG32)
Bowl material(SAF, SAL)	Poly-carbonate (option: ALDC)
Bowl Guard Material	Nylon
Construction(SAR)	Relief type

## Precautions

- ① Do not use Poly-carbonate bowls in an environment where they are exposed to or come in contact with organic solvents, chemicals, cutting oil, synthetic oil, alkali, and thread lock solutions.
- ② Components with a bowl must be installed vertically with the bowl downward so that faulty drain discharge and dripping can be verified.
- ③ Set the outlet pressure range for the regulator in a range that is 85% or less of the inlet pressure. If set above 85%, the inlet pressure will be easily effected by fluctuations in the flow rate and inlet pressure, and will become unstable.
- ④ To set the pressure using the knob, turn the knob in the direction that increases pressure and lock the knob after the pressure is set. If this is done in the direction that decreases pressure, the pressure may drop from the original set pressure. Turning the knob clockwise increases the outlet pressure, and turning it counterclockwise reduces the pressure.
- ⑤ When auto drain is used, drain piping should be both 4mm or greater in diameter and less than 1m in length. Avoid installing drain piping upwards.
- ⑥ When auto drain is inoperable, drain manually by pushing the one-touch fitting upward.

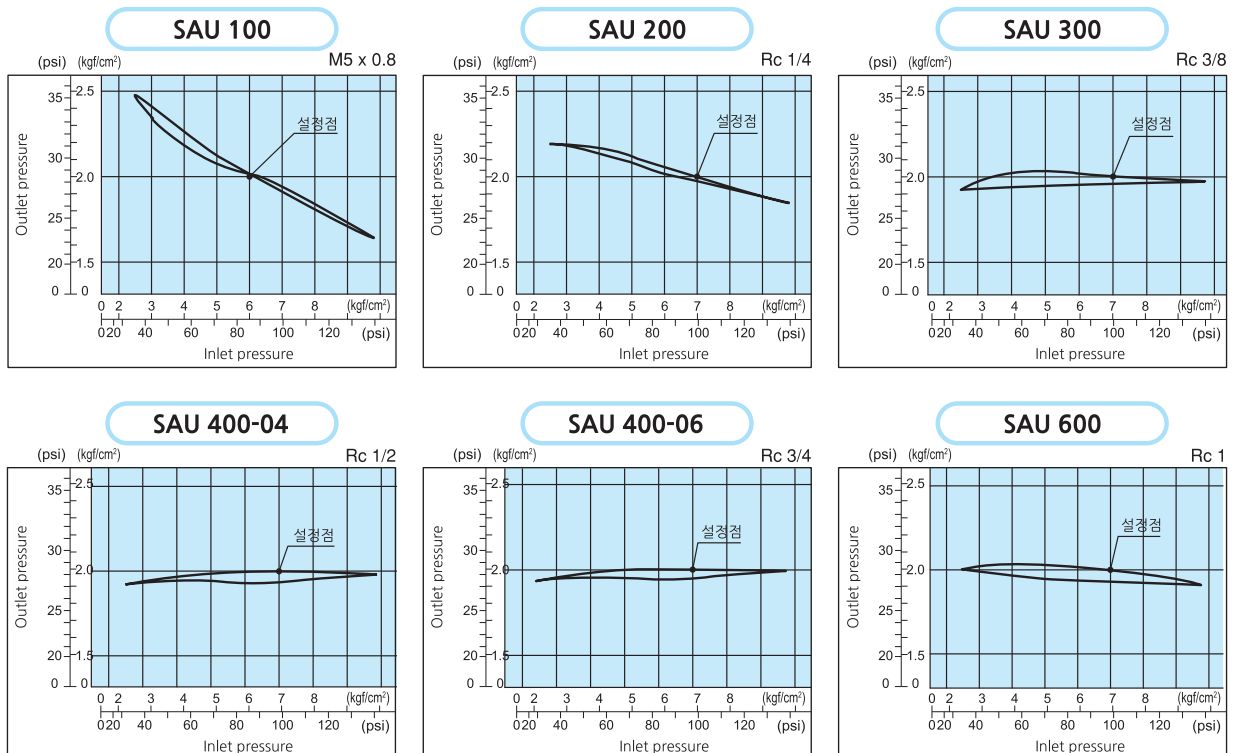
## FLOW CHARACTERISTICS

Inlet pressure 7kg/cm<sup>2</sup>



## PRESSURE CHARACTERISTICS

Inlet pressure 7kg/cm<sup>2</sup>, Outlet pressure 2kg/cm<sup>2</sup>, Flow 20L/min(ANR)

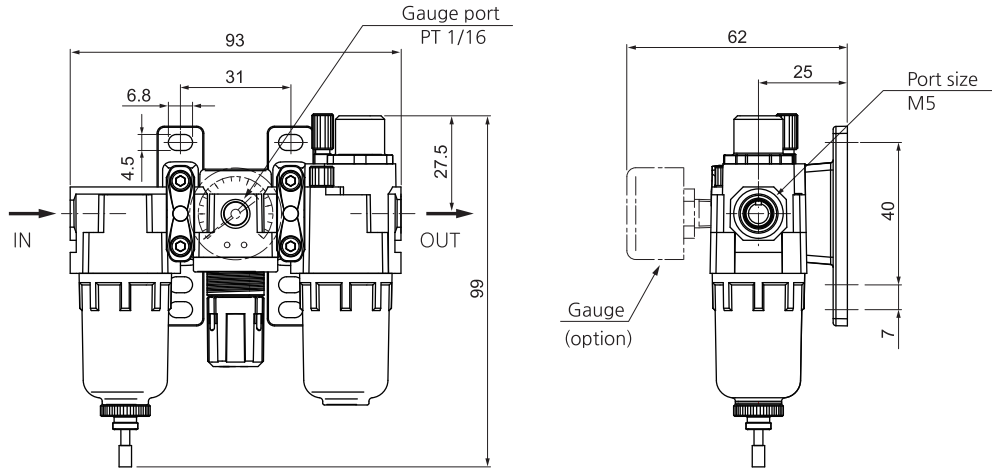


# Series SAU100~600

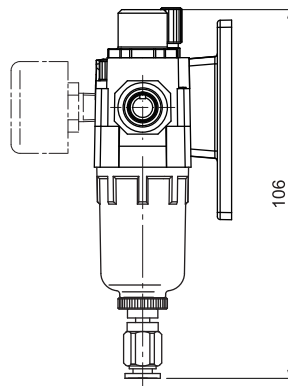
## DIMENSIONS (mm)

### SAU 100

- SAU100-□□□



- Dimensions of each model with an option attached



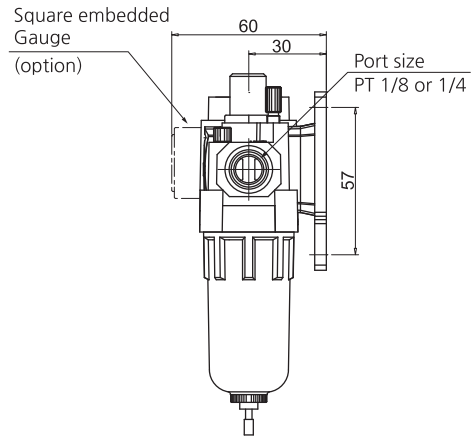
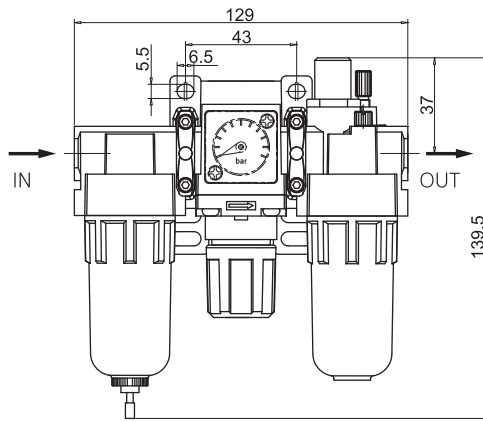
with Auto Drain  
(Differential pressure type)

Option	D : Auto Drain (Differential pressure type)	G : Gauge
Model	<p>Φ4mm One-touch fitting</p>	<p>G25, R1/16</p>

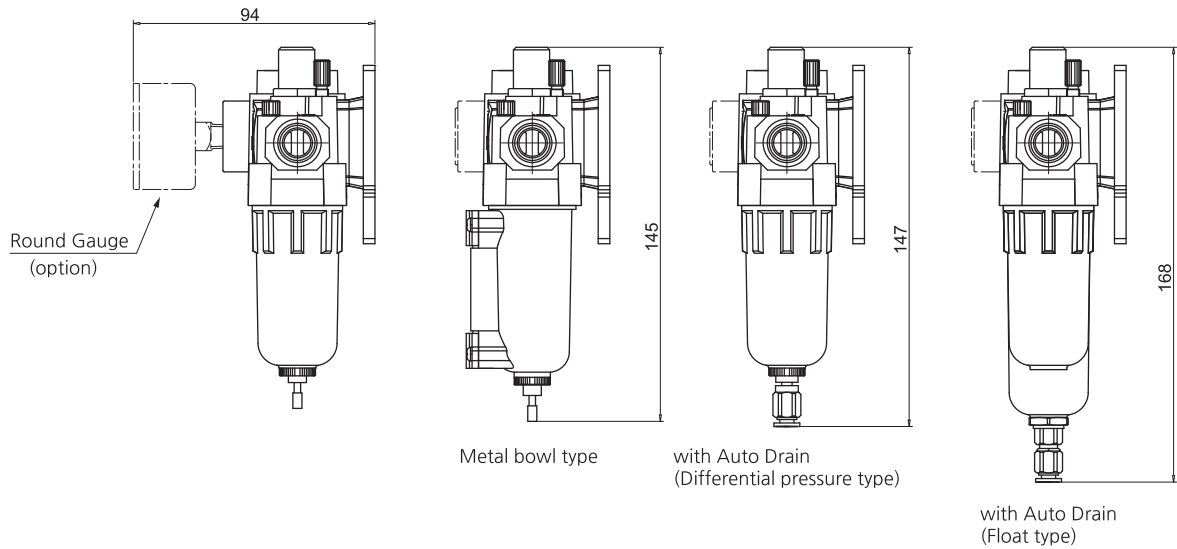
**DIMENSIONS (mm)**

**SAU 200**

■ SAU200-□02□□-□



■ Dimensions of each model with an option attached



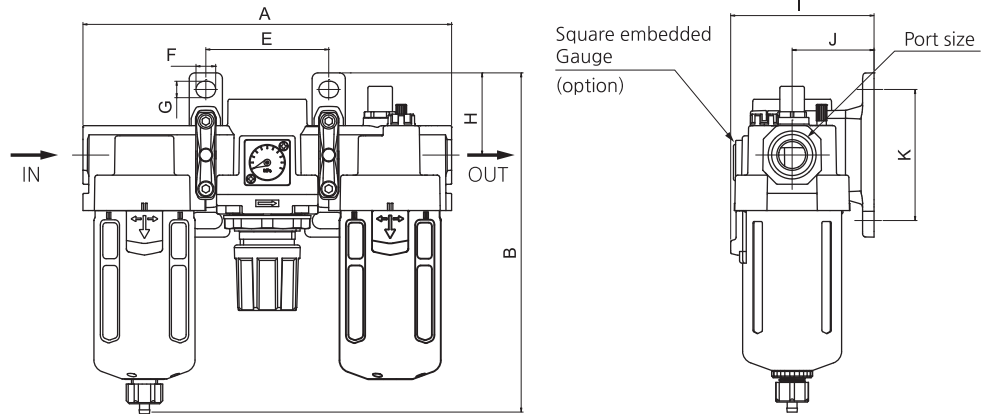
Option	Auto Drain		Gauge	
	D : Differential pressure type	Df : Float type	G : Round type	Gs : Square embedded type
Model				

# Series SAU100~600

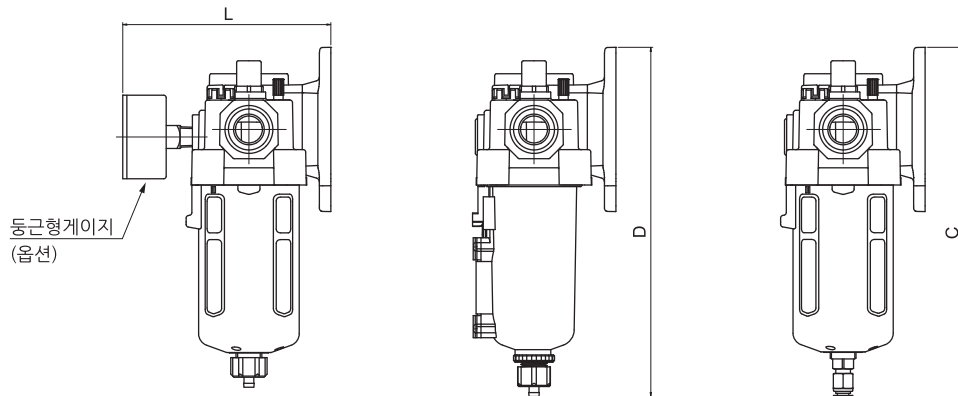
## DIMENSIONS (mm)

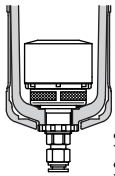


### SAU 300~400

- SAU300-□03□□-□
- SAU400-□04(06)□□-□



- Dimensions of each model with an option attached



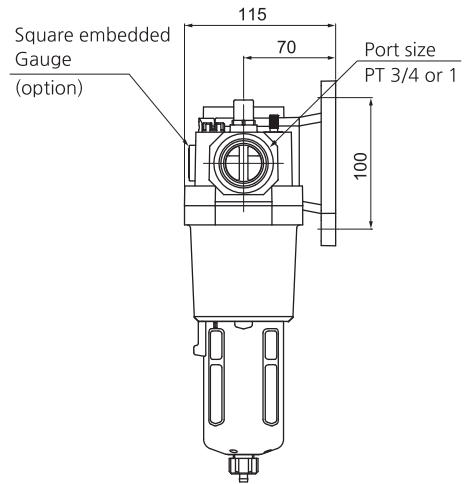
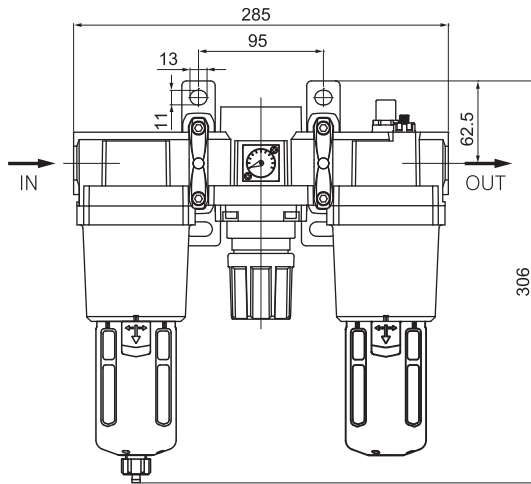
Option	D : Auto Drain	Gauge	
		G : Round type	Gs : Square embedded type
Model	 SAU300 : SAD300 SAU400 : SAD400	 SAU300 : G40, R1/8 SAU400 : G50, R1/4	 Gs28

Model	Port size	A	B	C	D	E	F	G	H	I	J	K	L
SAU300-03	3/8	171	173	179	190	57	9	7	43	71.5	41	70	107
SAU400-04	1/2	225	208	215	213	75	11	9	50	87.5	50	80	127
SAU400-06	3/4	225	212	219	217	75	11	9	50	87.5	50	80	127

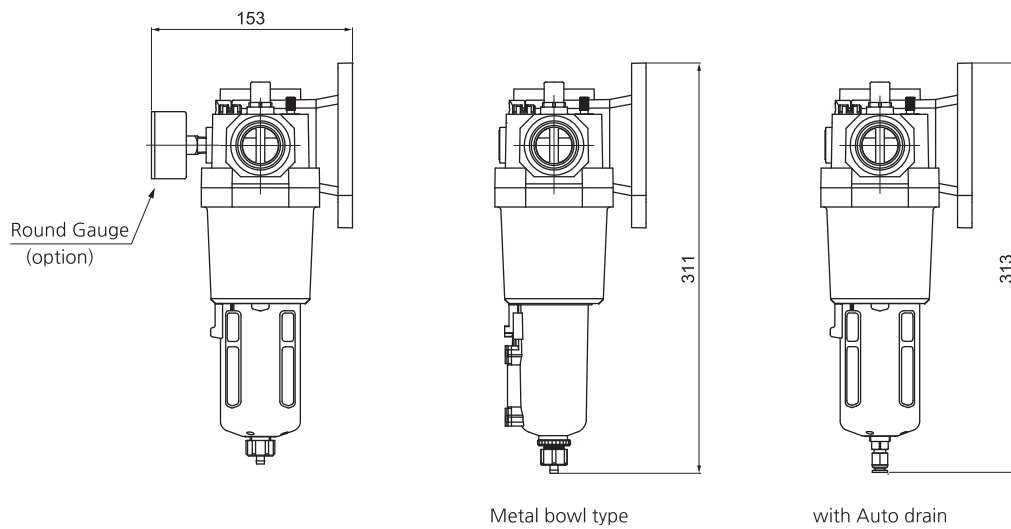
**DIMENSIONS (mm)**

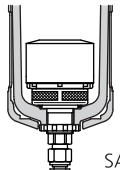


**SAU 600**

- SAU600-□06(10)□□-□



- Dimensions of each model with an option attached



Option	D : Auto Drain	Gauge	
		G : Round type	Gs : Square embedded type
Model	 <p>SAD400</p>	 <p>G50, R1/4</p>	 <p>Gs28</p>