

# EZ-1 series



### Features

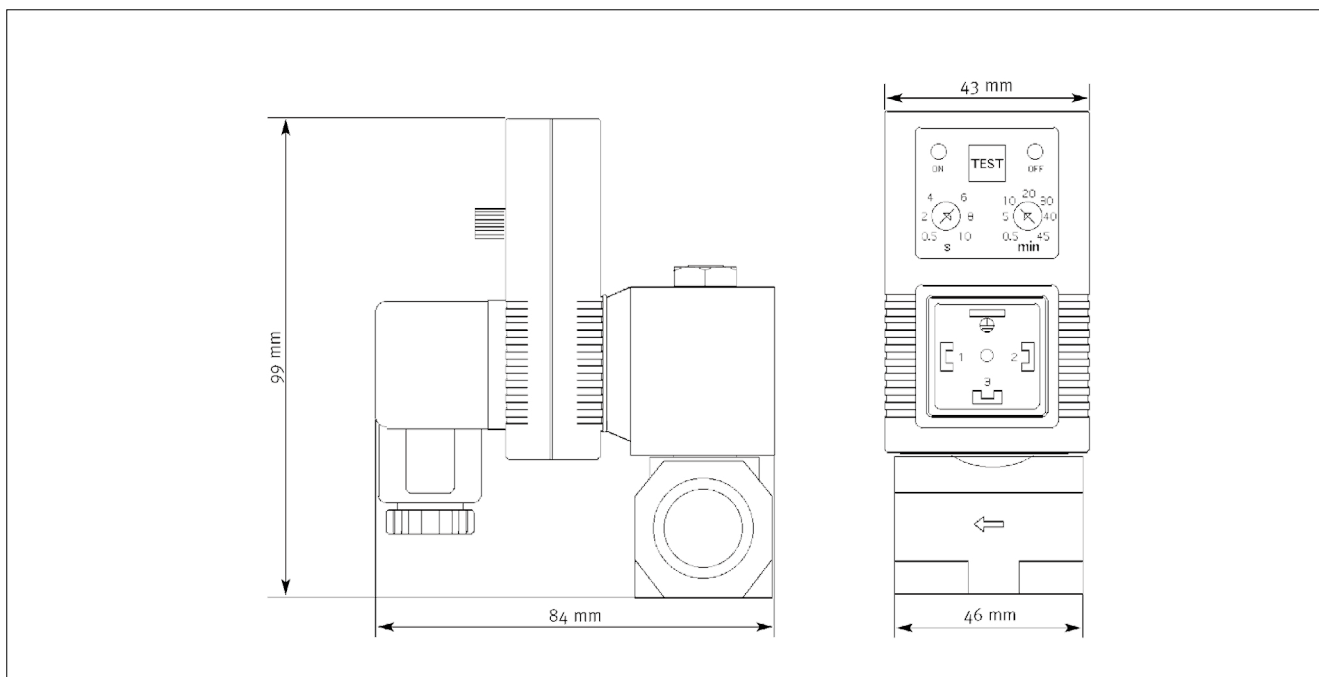
- Easy installment
- Large orifice (4mm) prevent blockage
- Seal material : FPM (Viton)
- Valve connection port : 1/2" BSP or NPT
- Standard opeartig pressure: 0~1.6MPa



### Specifications

Timer		Valve	
Operating interval	0.5-45 min, Adjustable	Operation	2/2 Way, direct acting
Valve open/close time	0.5-10 sec, Adjustable	In/Out port	1/2" BSP
Manual switch	Micro switch	Operating pressure	0~16.0kgf/cm <sup>2</sup> (0~1.6MPa)
Voltage	230 VAC/DC, 50/60Hz (±10%)	Ambient Temperature	2°C ~ 55°C
Current consumption	Max. 7mA	Seal material	FPM (Viton)
Operation temperature	-40°C ~ 60°C	Fluid temperature	Max. 90° C
Protect class	IP 65	Valve material	Brass
Material	ABS plastic FR grade UL94Vo	Insulation class	Grade F
Connection	DIN 43650A ISO 440/6952	Protect class	IP 65
Display lamp	1 LED (Yellow) Display ON	Orifice	4.0 mm
	1 LED (Yellow) Display OFF	Voltage	230VAC 50/60 Hz (±10%)

### Dimensions



- Air Dryer
- Reference Data
- KDHR
- KDHR-W
- KDHT
- KDAH
- KDAE
- KDAE-S
- KDAO
- KDAB
- KDNP
- KDH-C
- KDRC
- KDRT
- KDHAD
- EZ-1
- KDXF
- KDXE