

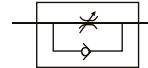
KAS Series



Features

- Able to control and set a constant speed.
- Speed can be controlled easily at low flow.
- Retainer prevents accidental loss of needle.

Symbol



How to Order

KAS **500** - **06**

① ② ③

① Series

KAS	Piping Type Speed Controller
-----	------------------------------

② Body size

500	3/4
600	1

③ Port size

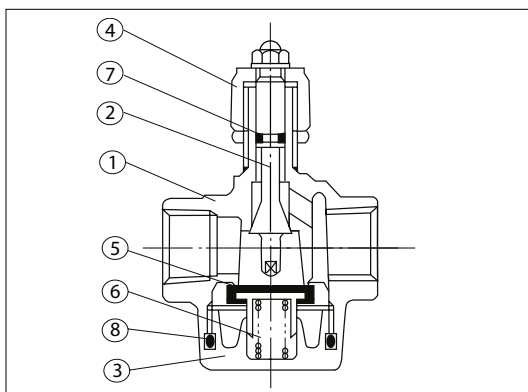
06	Rc(PT) 3/4
10	Rc(PT) 1

Specifications

Fluid	Air	
Proof pressure	15.0kgf/cm ² (1.5MPa)	
Max. working pressure	10.0kgf/cm ² (1.0Mpa)	
Min. working pressure	0.50kgf/cm ² (0.05Mpa)	
Ambient & fluid temperature	-5~60°C (No freezing)	
Needle rotation	10 turns	
Weight	KAS500-06	330g
	KAS600-10	686g

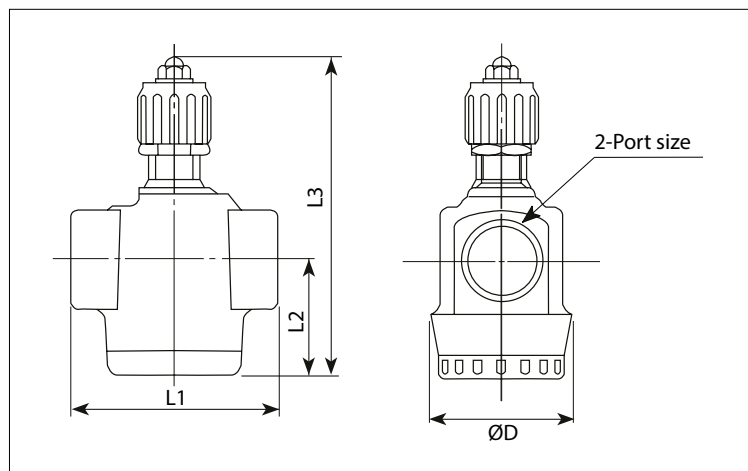
Model	Port size	Free flow		Control flow		Applicable cylinder bore size
		Flow rate (l/min)	Effective area (mm ²)	Flow rate (l/min)	Effective area (mm ²)	
KAS 500-06	Rc(PT) 3/4	10,100	154	8,100	123	Ø140, Ø160, Ø180, Ø200
KAS 600-10	Rc(PT) 1	15,100	230	16,900	258	Ø160, Ø180, Ø200, Ø250

Structure



Parts no.	Parts	Material	Remarks
1	Body	AL	Chromating
2	Needle	Brass	-
3	Bottom cover	AL D/C	Chromating
4	Handle	Zn D/C	Black Zinc Chromating
5	Check valve	Brass	-
6	Spring	Stainless steel	-
7	O-ring	NBR	-
8	O-ring	NBR	-

Dimensions



Model	Port size	L1	L2	L3		D
				MAX	MIN	
KAS 500-06	Rc(PT) 3/4	74	42	115	105	50
KAS 600-10	Rc(PT) 1	90	55	158	148	62

Accessory

One Touch Fitting

Compact One Touch Fitting

Two Touch Fitting

SC

SC-F

SAS

KAS

SCPV

KHVC

KHVF

KHVV

KHVM

SH

U

N

PFA
PTFE