

KPV series



Features

- Strong vibration
- Transfer of local vibration
- Little noise
- Light weight

How to Order

KPV - 16

① ②

① Series

| | |
|-----|--------------|
| KPV | Air vibrator |
|-----|--------------|

② Tube bore size

| | |
|-----|------|
| 10 | Ø10 |
| 16 | Ø16 |
| 22 | Ø22 |
| 30 | Ø30 |
| 40 | Ø40 |
| 50 | Ø50 |
| 70 | Ø70 |
| 100 | Ø100 |

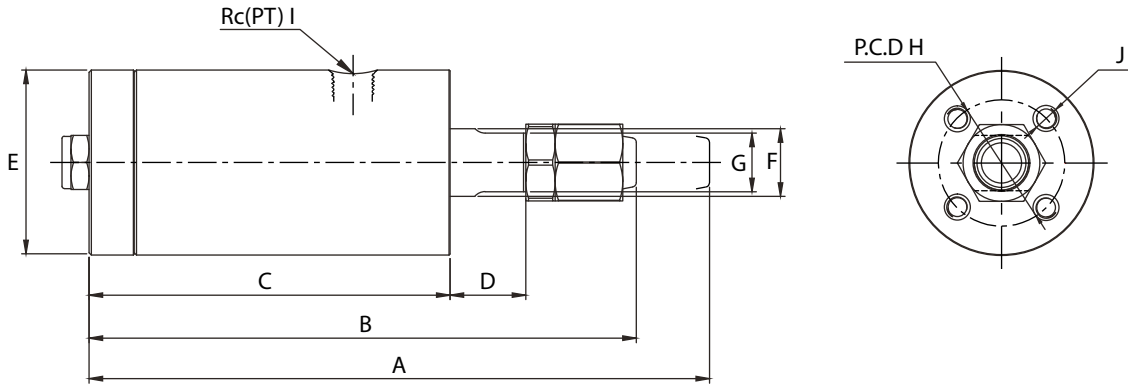
Specifications

| Model | | KPV-10 | KPV-16 | KPV-22 | KPV-30 | KPV-40 | KPV-50 | KPV-70 | KPV-100 |
|-------------------------------------|---------------------|--------|--------|--------|--------|--------|--------|--------|---------|
| Forward thrust (kgf) | 4kg/cm ² | 3.1 | 8.0 | 15.2 | 28.3 | 50.3 | 78.5 | 153.9 | 314 |
| | 7kg/cm ² | 5.5 | 14.0 | 26.6 | 49.4 | 87.9 | 137.4 | 269.3 | 549.5 |
| Backward thrust (kgf) | 4kg/cm ² | 2.2 | 5.5 | 10.3 | 19.2 | 34.4 | 53.9 | 90.3 | 181.3 |
| | 7kg/cm ² | 3.8 | 9.6 | 18.0 | 33.6 | 60.1 | 94.3 | 158 | 317.3 |
| Frequency (reciprocations / minute) | 4kg/cm ² | 4,000 | 3,800 | 3,300 | 2,000 | 1,800 | 1,600 | 640 | 480 |
| | 7kg/cm ² | 5,800 | 4,800 | 4,200 | 3,300 | 2,300 | 2,000 | 730 | 530 |
| Air consumption (Liters/minute) | 4kg/cm ² | 8 | 20 | 38 | 69 | 102 | 166 | 738 | 1130 |
| | 7kg/cm ² | 17 | 41 | 77 | 140 | 209 | 331 | 842 | 1248 |
| Weight (kg) | | 0.08 | 0.19 | 0.44 | 0.92 | 1.88 | 3.35 | 18 | 27 |

Applications

- Prevention of clogging of pipes or tubes during particle transfer
- Prevention of clogging of hoppers by particles
- Air linear feeder and parts feeder
- Powder pressing and flattening
- Cleaning, drying and screening
- Other industrial fields

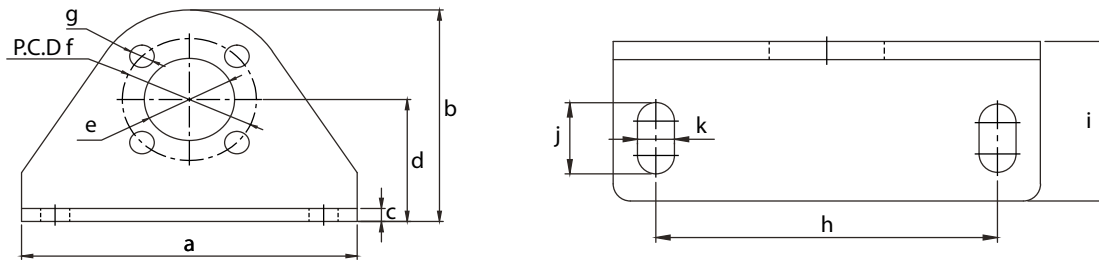
Dimensions



Unit:mm

| Model | A | B | C | D | E | F | G | H | I | J |
|---------|-------|-------|-----|------|-----|----|----|-----|-----------|-----|
| KPV-10 | 97 | 83.5 | 60 | 6.5 | 22 | 7 | 6 | 15 | M5 | M3 |
| KPV-16 | 119 | 103.5 | 80 | 7.5 | 30 | 11 | 9 | 22 | M5 | M4 |
| KPV-22 | 139.5 | 114.5 | 80 | 8 | 41 | 15 | 13 | 28 | Rc(PT)1/8 | M5 |
| KPV-30 | 189 | 156 | 120 | 6.5 | 52 | 19 | 16 | 38 | Rc(PT)1/4 | M6 |
| KPV-40 | 226 | 187 | 144 | 18.5 | 69 | 27 | 25 | 52 | Rc(PT)1/4 | M8 |
| KPV-50 | 285 | 238 | 175 | 19.5 | 83 | 34 | 30 | 63 | Rc(PT)3/8 | M10 |
| KPV-70 | 310 | 247 | 220 | 27 | 109 | 45 | - | 86 | Rc(PT)1/2 | M10 |
| KPV-100 | 430 | 330 | 290 | 40 | 159 | 65 | - | 125 | Rc(PT)3/4 | M12 |

Dimensions-Bracket



Unit:mm

| Model | a | b | c | d | e | f | g | h | i | j | k |
|---------|-----|-----|-----|-----|------|-----|------|-----|-----|------|------|
| KPV-10 | 50 | 32 | 3.2 | 20 | 9.3 | 15 | 3.5 | 38 | 24 | 10.5 | 5.5 |
| KPV-16 | 65 | 40 | 3.2 | 24 | 14.3 | 22 | 4.5 | 50 | 28 | 12.5 | 6.5 |
| KPV-22 | 75 | 52 | 3.2 | 30 | 20.3 | 28 | 5.5 | 75 | 28 | 12 | 6.5 |
| KPV-30 | 100 | 69 | 5 | 40 | 26.5 | 38 | 6.5 | 80 | 38 | 16.5 | 8.5 |
| KPV-40 | 120 | 84 | 5 | 48 | 35.5 | 52 | 8.5 | 95 | 42 | 18.5 | 10.5 |
| KPV-50 | 140 | 100 | 5 | 56 | 45.5 | 63 | 10.5 | 115 | 58 | 34.5 | 10.5 |
| KPV-70 | 180 | 132 | 8 | 78 | 55 | 84 | 10.5 | 148 | 93 | 47 | 12.5 |
| KPV-100 | 350 | 195 | 12 | 115 | 75 | 125 | 12.5 | 267 | 172 | 97 | 17 |