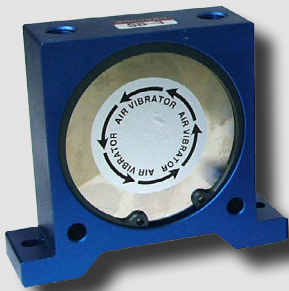
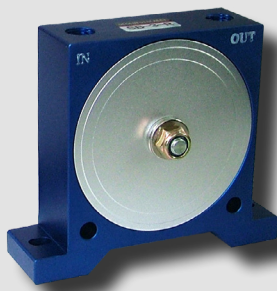


SB series



SB-3B



SB-3R

Features

- Uniform vibration and easy to install
- Minimizing noise
- No risk of gas explosion by using air
- Easy vibration control

How to Order

SB - 2 B

① ②

① Body size

2	1/4 small type
3	1/4 medium type

② Vibration method

B	Ball type
R	Rotor type

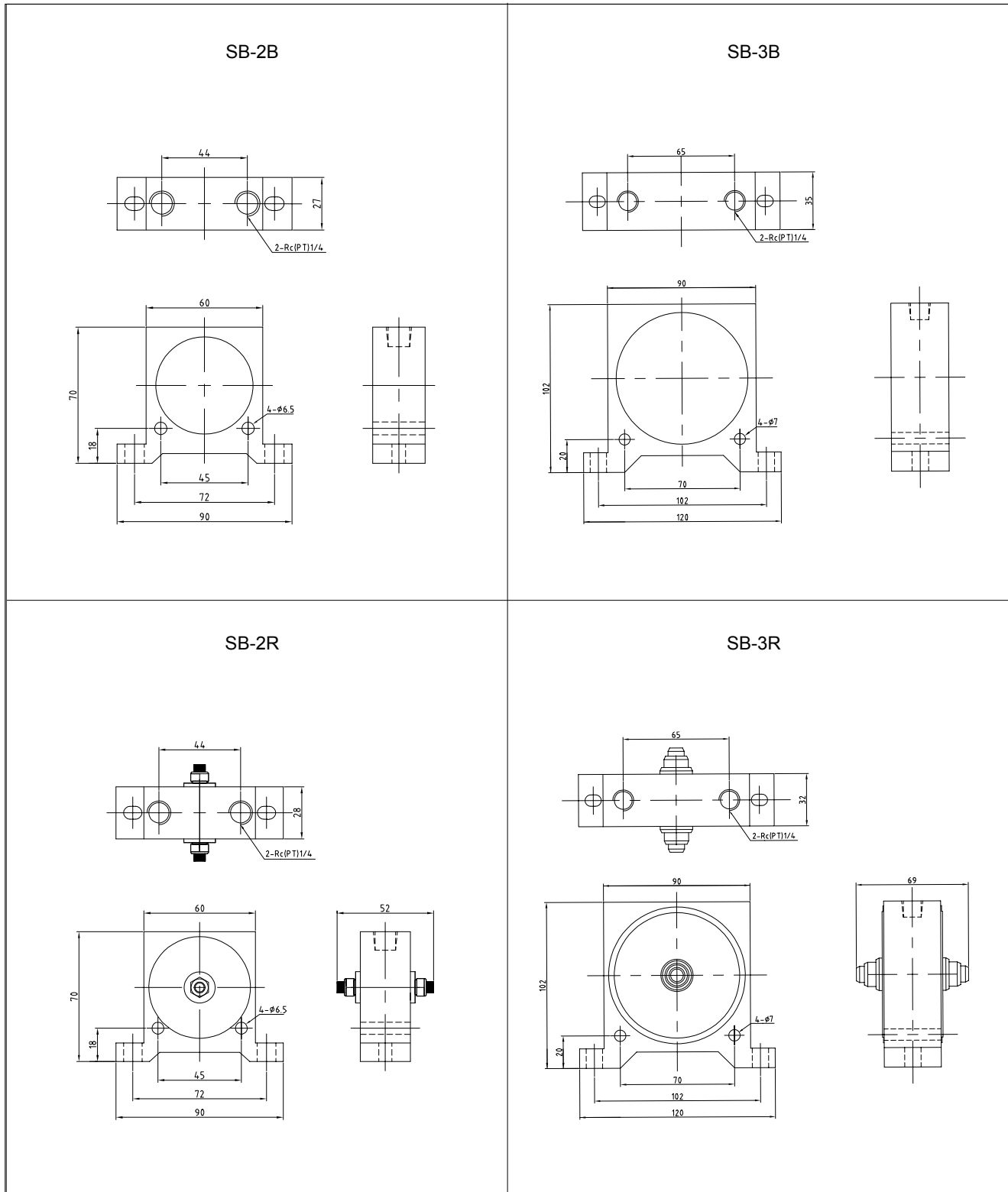
Specifications

Model		SB-2B	SB-3B	SB-2R	SB-3R
Vibration frequency Hz	3kgf/cm ²	145	38	85	83
	4kgf/cm ²	152	44	104	110
	5kgf/cm ²	156	48	111	119
Number of rotation rpm	3kgf/cm ²	8700	2280	5100	4980
	4kgf/cm ²	9120	2640	6240	8800
	5kgf/cm ²	9360	2880	6660	7140
Vibration acceleration m/s ²	3kgf/cm ²	221	41	140	302
	4kgf/cm ²	133	55	255	536
	5kgf/cm ²	156	57	257	643
Fluid		Air			
Operating pressure		2~9.9kgf/cm ²			

Applications

- Hopper, Silo, Bin
- Auto mixing
- Auto sorting
- Delivery system of various components and materials
- Automatic transfer system of the automation factory

Dimensions



Others
Auto Switch Reference data
Auto Switch
FS
HS
KTD-600
KTD-1000
KDPC
Rotary Joint Reference Data
DR1000
DR2000
DR3000
DR3700
DR5000
DR6000
SRJ
KPF
KSM
KABL
SB
KPV
KVT
KPP