

# Mechanical Valve (SMV)

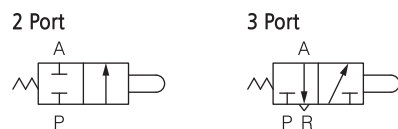
SMV200 Series (Rc(PT) 1/4)



## How to order

- SMV 2 20 - 02 - 00**
- ① Mechanical Valve
  - ② Number of Port  
20 - 2 Port  
30 - 3 Port(include "exhaust hole")
  - ③ Thread type  
Nil - Rc(PT)  
N - NPT  
G - G(PF)
  - ④ Port size  
02 - 1/4
  - ⑤ Type of Actuator  
00 - Standard  
01S - Roller lever(Bearing type)  
02S - One way roller lever(Bearing type)  
30 - Push button(Mushroom type)  
31 - Push button(ENG type)  
32 - Push button(Flat type)  
34 - Selector(2position)

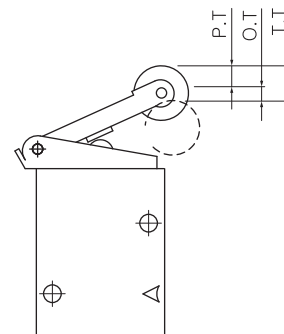
## Symbol



## Specification

Fluid	Compressed Air
Max. operating pressure	0~10bar (0~1MPa)
Ambient and Media temp.	-5~60℃ (No freezing)
Effective orifice(Cv)	19mm <sup>2</sup> (1.0)
Lubrication	Not required
Port size	1/4

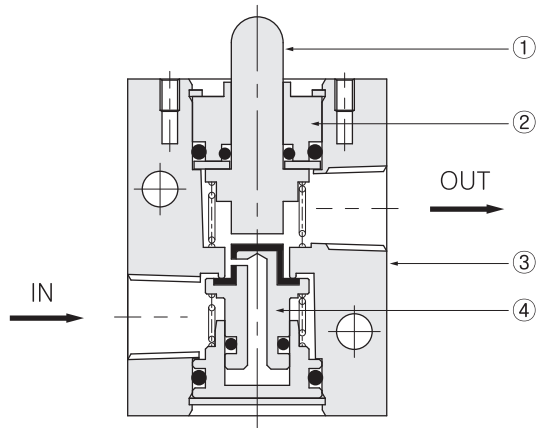
## Operating point of Mechanical valve



P.T.	From the free position to the operating position of actuator
O.T.	From the operating position to the operating limit of actuator
T.T.	From the free position to the operating limit of actuator

## STRUCTURE / PARTS

### SMV 200

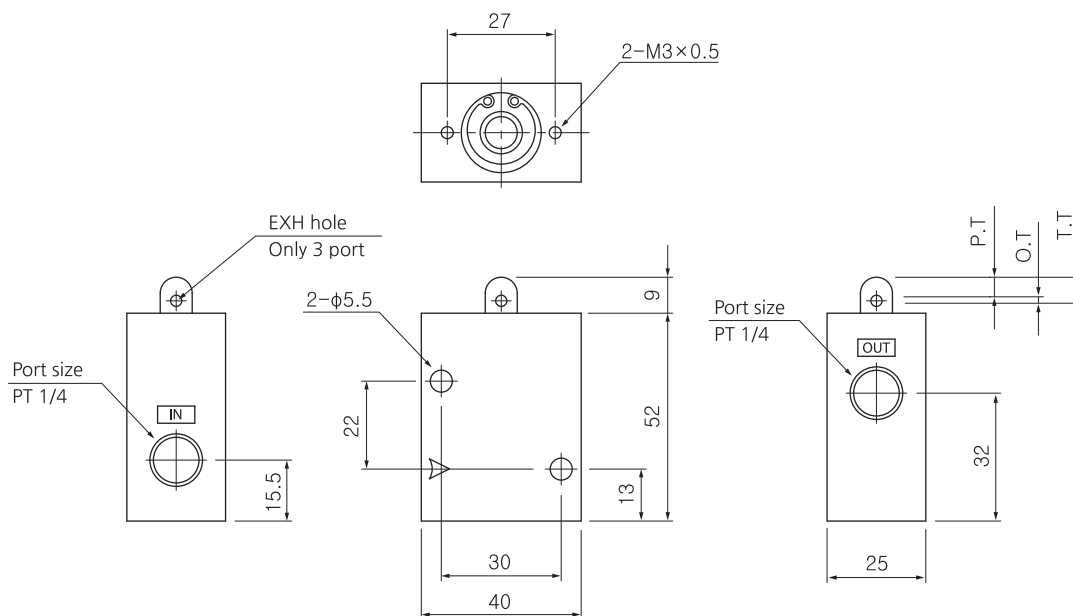


No.	PARTS	MATERIAL
①	Rod	A2011
②	Rod guide	Brass
③	Body	ALDC
④	Check valve	NBR

## DIMENSIONS (mm)

### SMV 220-02-00 230-02-00

P.T.	2.7
O.T.	3
T.T.	5.7



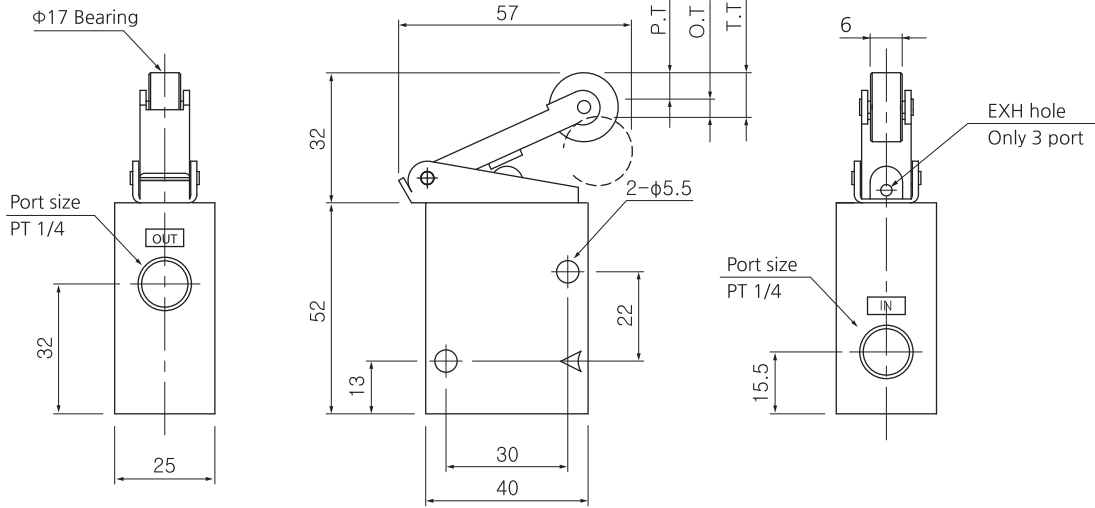
# Series SMV200

## DIMENSIONS (mm)

**SMV 220-02-01S**

**230-02-01S**

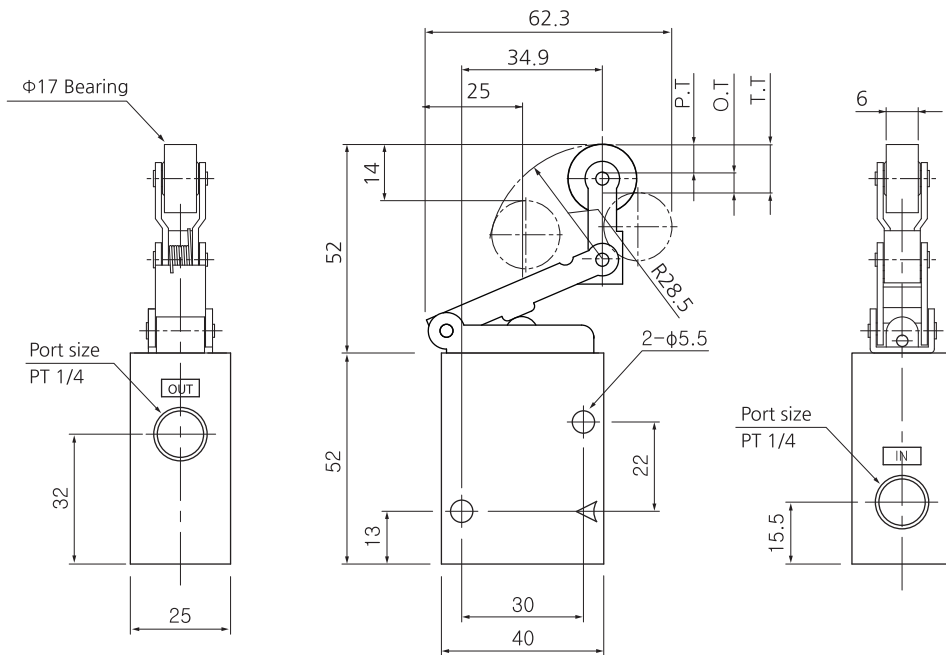
P.T.	5.8
O.T.	6.6
T.T.	12.4



**SMV 220-02-02S**

**230-02-02S**

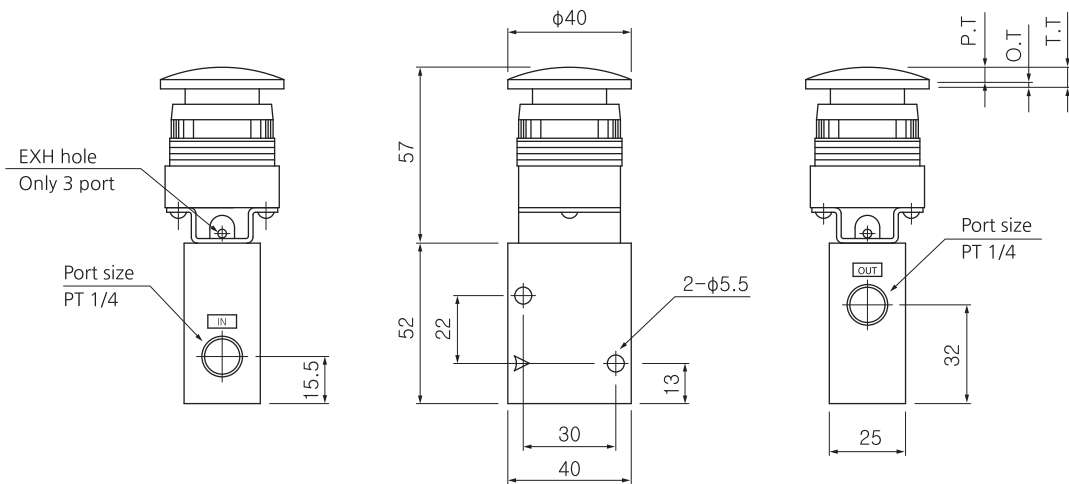
P.T.	5.8
O.T.	6.6
T.T.	12.4



## DIMENSIONS (mm)

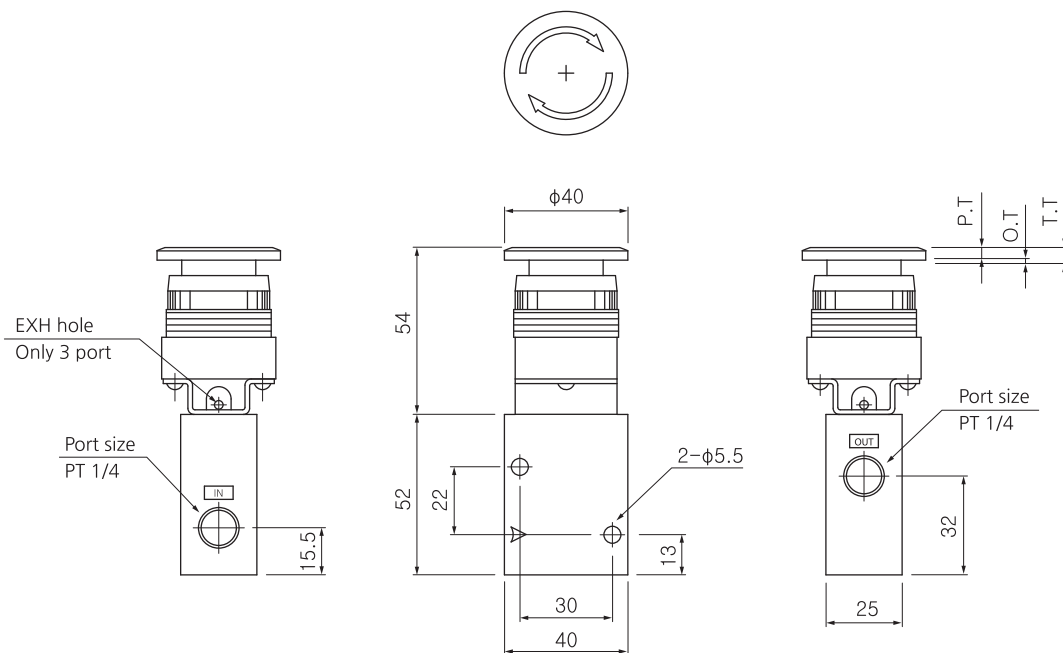
**SMV 220-02-30**  
**230-02-30**

P.T.	4.7
O.T.	2.8
T.T.	7.5



**SMV 220-02-31**  
**230-02-31**

T.T.	4.3
------	-----



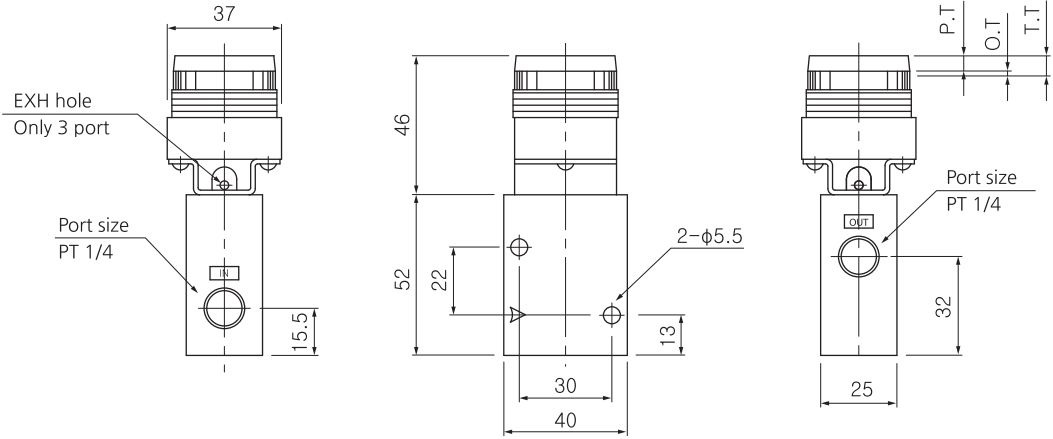
# Series SMV200

## DIMENSIONS (mm)

**SMV 220-02-32**

**230-02-32**

P.T.	4.7
O.T.	2.8
T.T.	7.5



**SMV 220-02-34**

**230-02-34**

T.T.	90°
------	-----

