

3port Pilot type Mechanical Valve (SMVF)

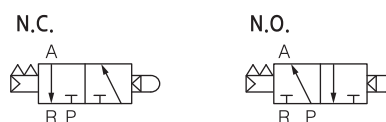
SMVF231~232 Series (Rc(PT) 1/4)



How to order

- SMVF 2 3 1 - 02 - 00**
- ① Pilot type Mechanical Valve
 - ② Number of Port
3 - 3 Port
 - ③ Function
1 - Nomal Close(N.C.)
2 - Nomal Open(N.O.)
 - ④ Thread type
Nil - Rc(PT)
N - NPT
G - G(PF)
 - ⑤ Port size
02 - 1/4
 - ⑥ Type of Actuator
00 - Standard
01 - Roller lever
01S - Roller lever(Bearing type)
02 - One way roller lever
02S - One way roller lever(Bearing type)
30 - Push button(Mushroom type)
32 - Push button(Flat type)
34 - Selector(2position)

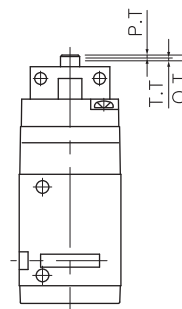
Symbol



Specification

Fluid	Compressed Air
Max. operating pressure	1.5~10bar (0.15~1MPa)
Ambient and Media temp.	-5~60°C (No freezing)
Effective orifice(Cv)	19mm ² (1.0)
Lubrication	Not required
Port size	1/4

Operating point of Mechanical valve

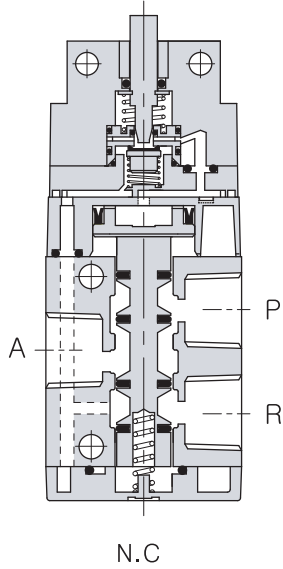


P.T.	From the free position to the operating position of actuator
O.T.	From the operating position to the operating limit of actuator
T.T.	From the free position to the operating limit of actuator

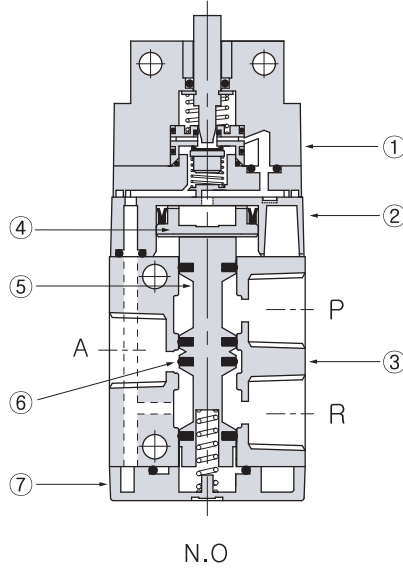
Pilot type Mechanical Valve

STRUCTURE / PARTS

SMVF 231



SMVF 232



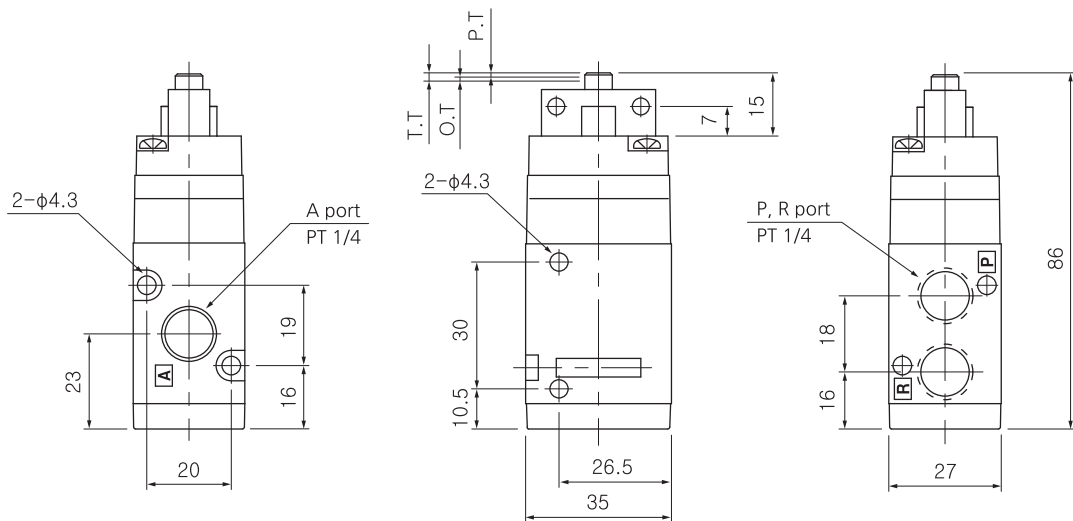
No.	PARTS	MATERIAL
①	Pilot guide	ZnDC
②	Pilot cylinder	N66G
③	Body	ALDC
④	Piston	POM
⑤	Spool	A2011
⑥	I-ring	NBR
⑦	Cover	ALDC

DIMENSIONS (mm)

SMVF 231-02-00

232-02-00

P.T.	1
O.T.	2
T.T.	3



Series SMVF231~232

DIMENSIONS (mm)

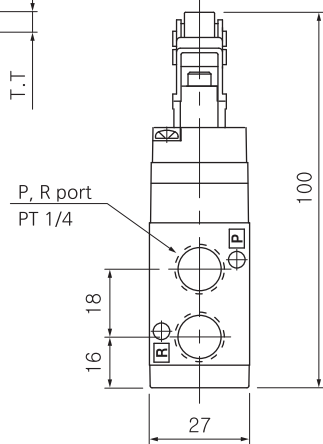
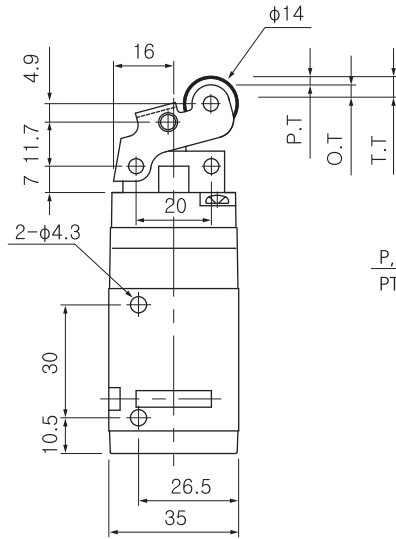
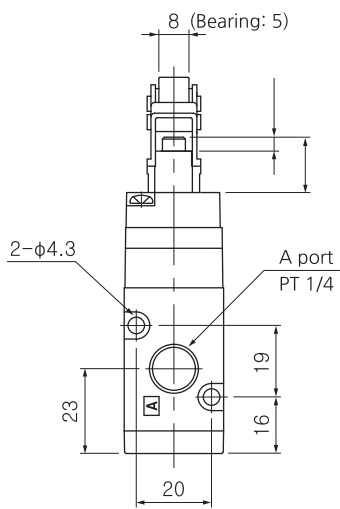
SMVF 231-02-01

232-02-01

231-02-01S

232-02-01S

P.T.	2.2
O.T.	4
T.T.	6.2



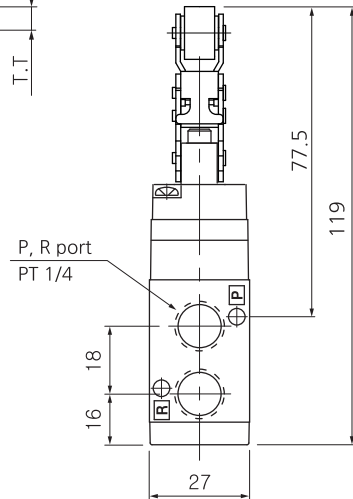
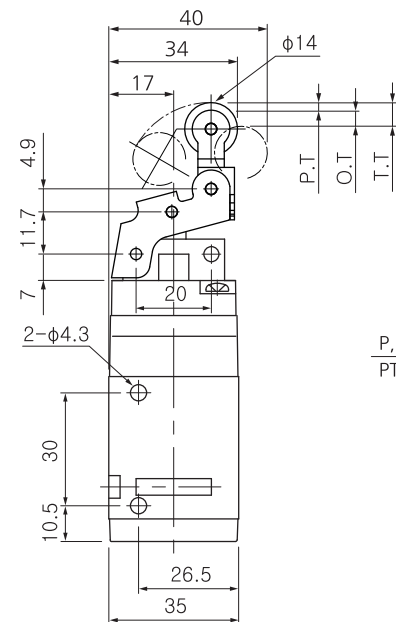
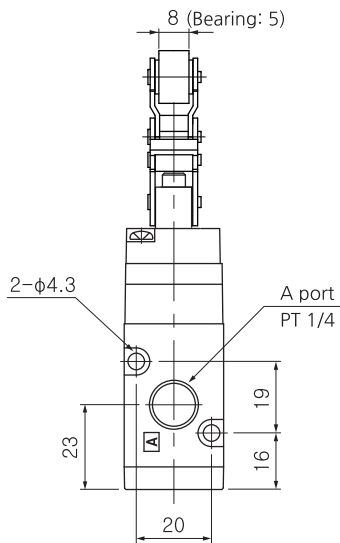
SMVF 231-02-02

232-02-02

231-02-02S

232-02-02S

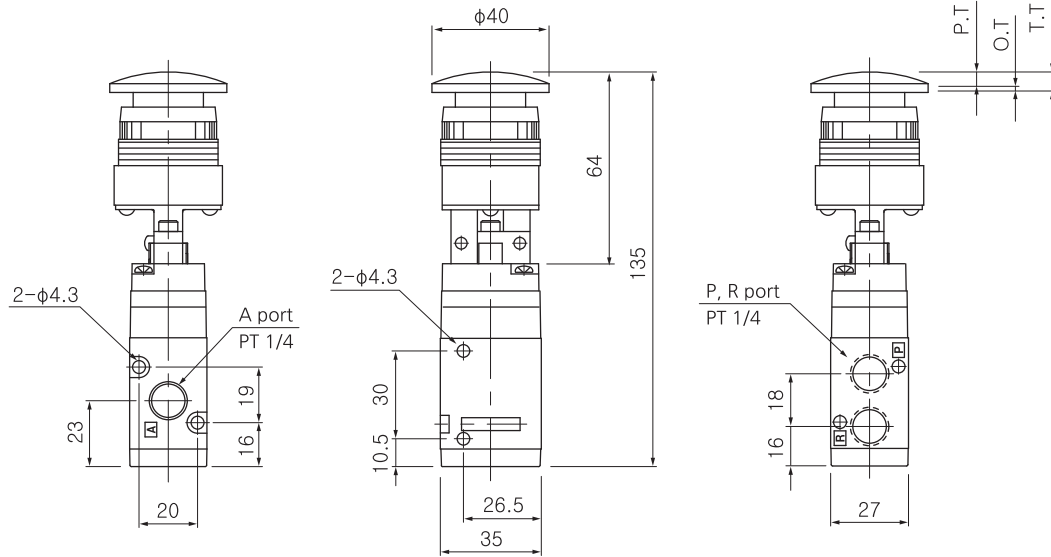
P.T.	2.2
O.T.	4
T.T.	6.2



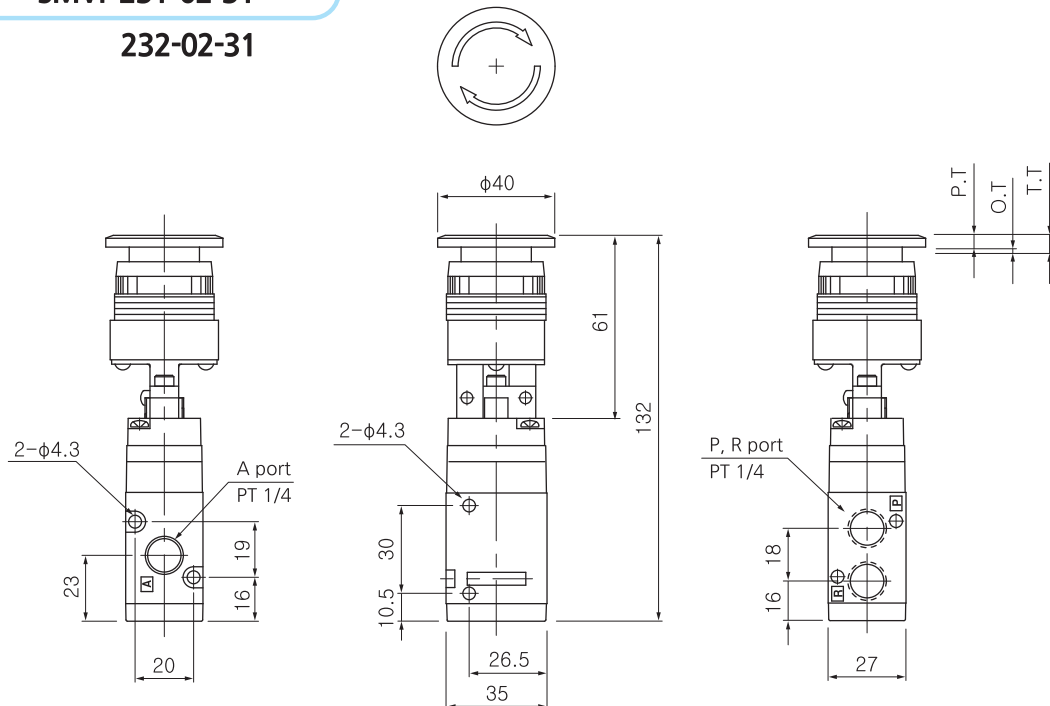
Pilot type Mechanical Valve

DIMENSIONS (mm)

SMVF 231-02-30
232-02-30



SMVF 231-02-31
232-02-31



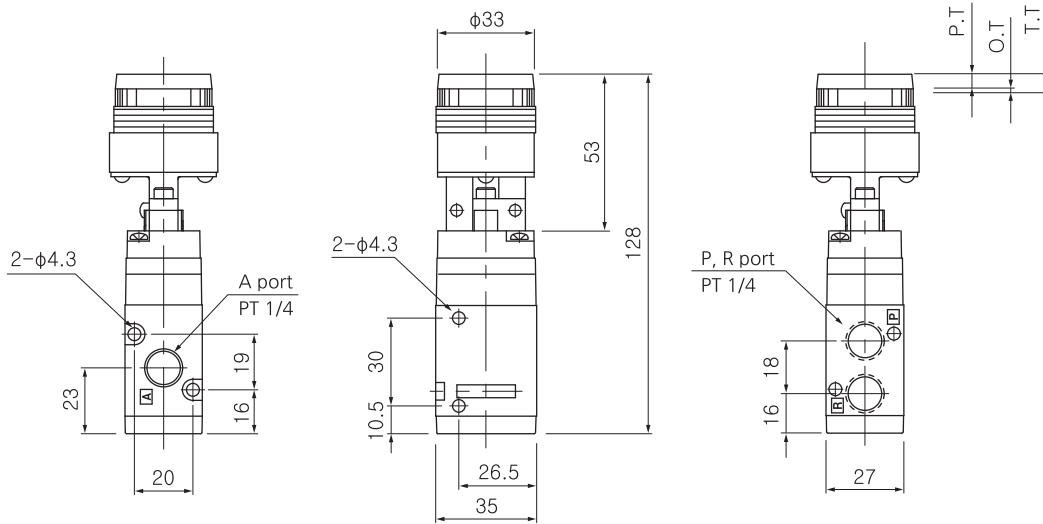
Series SMVF231~232

DIMENSIONS (mm)

SMVF 231-02-32

232-02-32

P.T.	6
O.T.	2
T.T.	8



SMVF 231-02-34

232-02-34

T.T.	90°
------	-----

