

# 5port Pilot Operated Solenoid Valve (SV)

## SV6000 Series (Rc(PT) 1/2)

- 36.0mm Body width
- Transition Flow 3500 l/min (5bar)



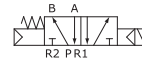
### How to order

SV 6 1 30-220V-GL-P-04

- ① Solenoid valve
- ② **Function**
  - 1 - 2 position single
  - 2 - 2 position double
  - 3 - 3 position Closed Center
  - 4 - 3 position Exhaust Center
  - 5 - 3 position Pressure Center
- ③ **Coil Rate Voltage**
  - 220V - AC 220V
  - 110V - AC 110V
  - 24V - AC 24V
  - D24V - DC 24V
- ④ **Coil Type**
  - Nil - Without Coil
  - G - Flying Leads (Grommet)
  - GL - Flying Leads with LED lamp(Grommet)
  - C - 3 Pin coil + Connector
  - CL - 3 Pin coil + LED lamp Connector
- ⑤ **Manual Operator**
  - P - Push Button
- ⑥ **Thread Type**
  - Nil - Rc(PT)
  - N - NPT
  - G - G(PF)
- ⑦ **Port Size**
  - 04 - Rc(PT) 1/2

### Symbol

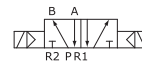
2 Position Single



3 Position Closed Center



2 Position Double



3 Position Exhaust Center



3 Position Pressure Center

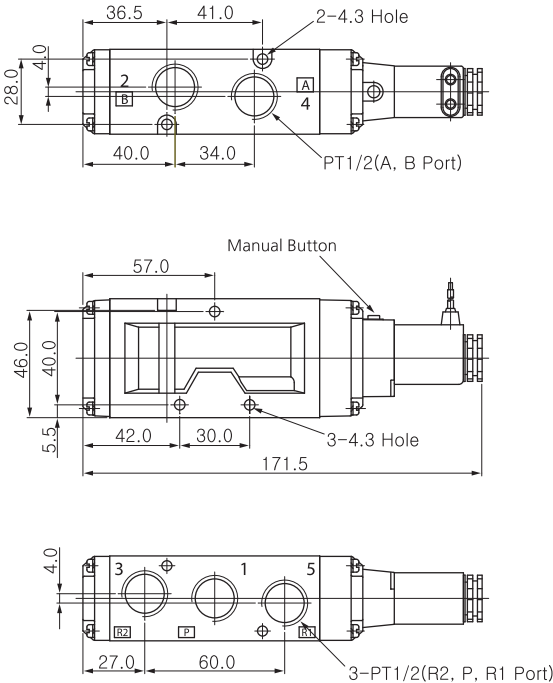


### Specification

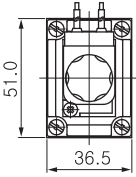
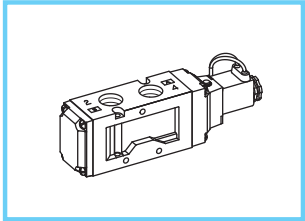
Function	5port 2position	5port 3position
Fluid	Compressed air	
Ambient and Media temp.	5~60°C	
Max. operating pressure	1.5~10bar	2~10bar
Eff. Sectional Area(5bar)	65mm <sup>2</sup>	50mm <sup>2</sup>
Response time(5bar)	30ms or less	40ms or less
Max. operating frequency	2c/sec	1c/sec
Lubrication	Not required	
Manual override	Push button	
Coil insulation	F-Class or Equivalent	
Allowable voltage	±10% rated voltage	
Power consumption	AC:4.9VA(60Hz) / DC:2.5W	

## DIMENSIONS (mm)

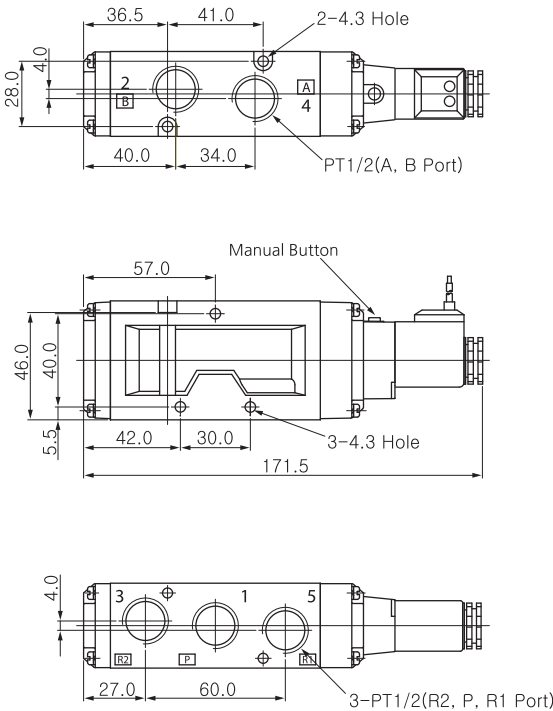
2position / 5port single(Grommet type)



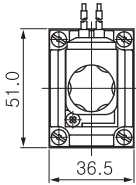
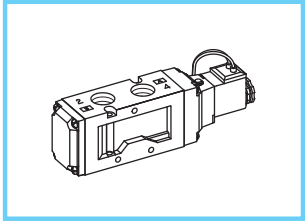
SV6130-□□□V-G-...



2position / 5port single(Lamp type)



SV6130-□□□V-GL-...

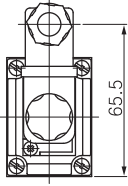
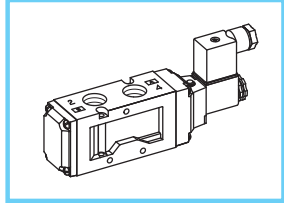
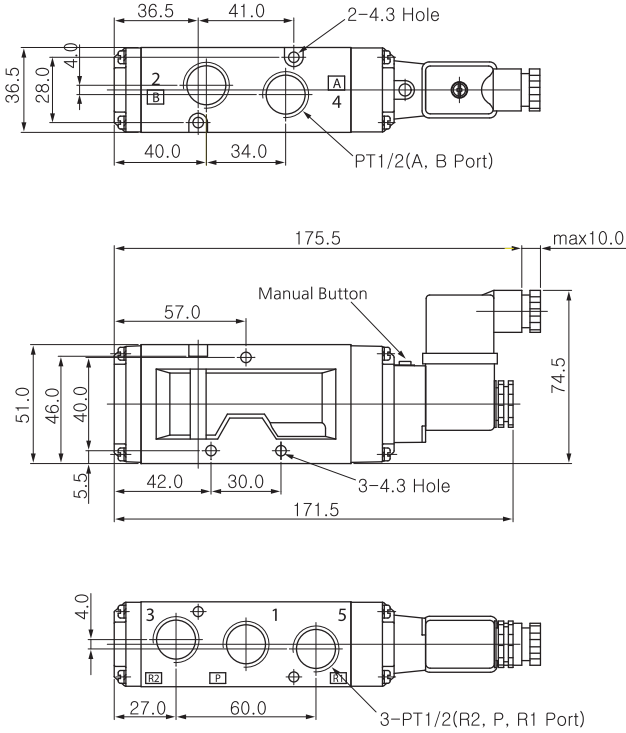


# Series SV6000

## DIMENSIONS (mm)

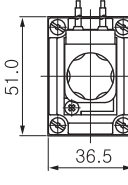
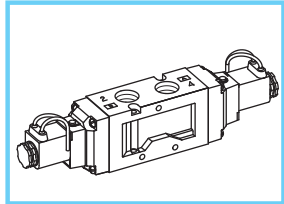
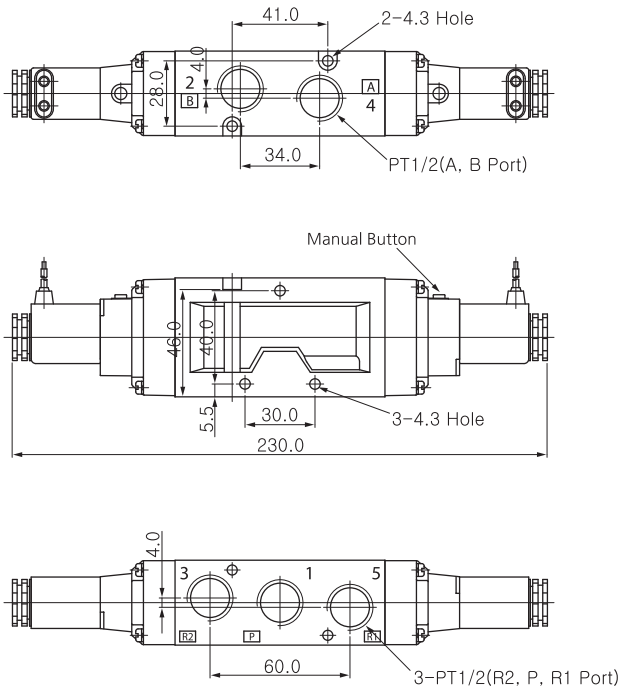
2position / 5port single(Connector type)

SV6130-□□□V-C□-...



2position / 5port double(Grommet type)

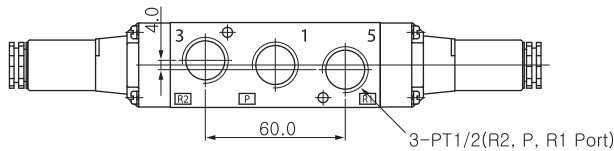
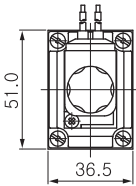
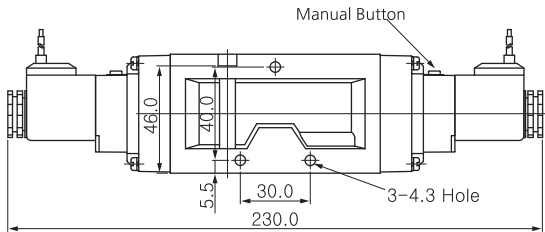
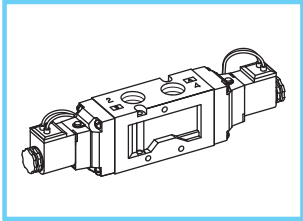
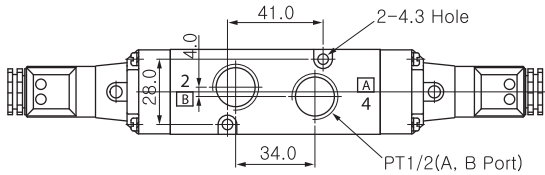
SV6230-□□□V-G...



## DIMENSIONS (mm)

2position / 5port double(Lamp type)

**SV6230-□□□V-GL-...**



2position / 5port double(Connector type)

**SV6230-□□□V-C□-...**

