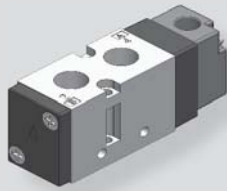
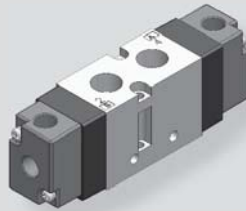


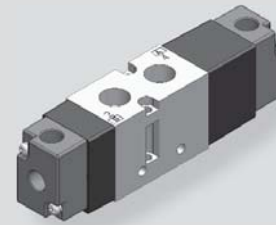
KA(B)V320 series



KA(B)V320S



KA(B)V320D



KA(B)V320H

Pneumatic Solenoid Valve

KS3135

KS4000

KSP3135

KSP4000

KT307
KMF307

KT317

KA(B)V105

KA(B)V210

KA(B)V320

KA(B)V530

KA(B)V640

KA(B)V524

KA(B)V534

KA(B)V341

KA(B)V342

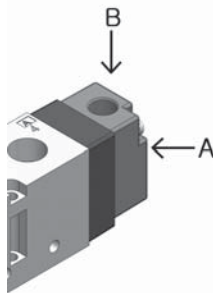
KPA(B)V542

How to Order

K **B** V **320** **S**
 ① ② ③

① Air supply direction

A	Horizontal
B	Vertical



② Port type

Nil	Rc(PT)
G	G

③ Function

Function	Symbol
S Single Acting	
D Double Acting	
H Closed center	
I Pressure center	
J Exhaust center	

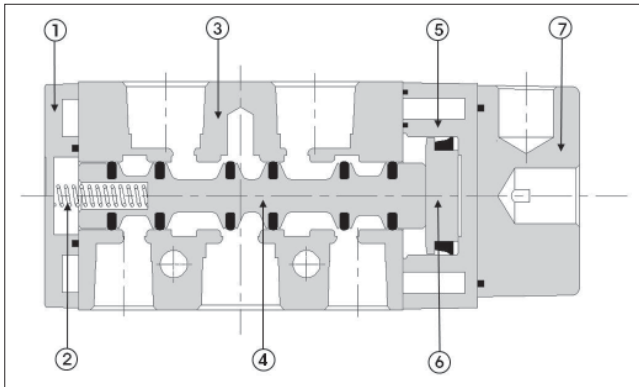
Specifications

Type	S	D	H / I / J
Fluid	Air, Inert gas		
Port size	Rc(PT) 1/4, G 1/4		
External pilot port size	Rc(PT) 1/8		
Effective sectional area Smm ² (Cv)	19mm ² (1.0)	14mm ² (0.8)	
Operating pressure	1.5~9kgf/cm ² (0.15~0.9MPa)	2~9kgf/cm ² (0.2~0.9MPa)	
Pilot pressure	2~10kgf/cm ² (0.2~1MPa)		
Max. operating frequency	5 cycle/sec	3 cycle/sec	
Ambient & fluid temperature	5°C ~ 60°C		
Weight	190g	240g	340g

Features

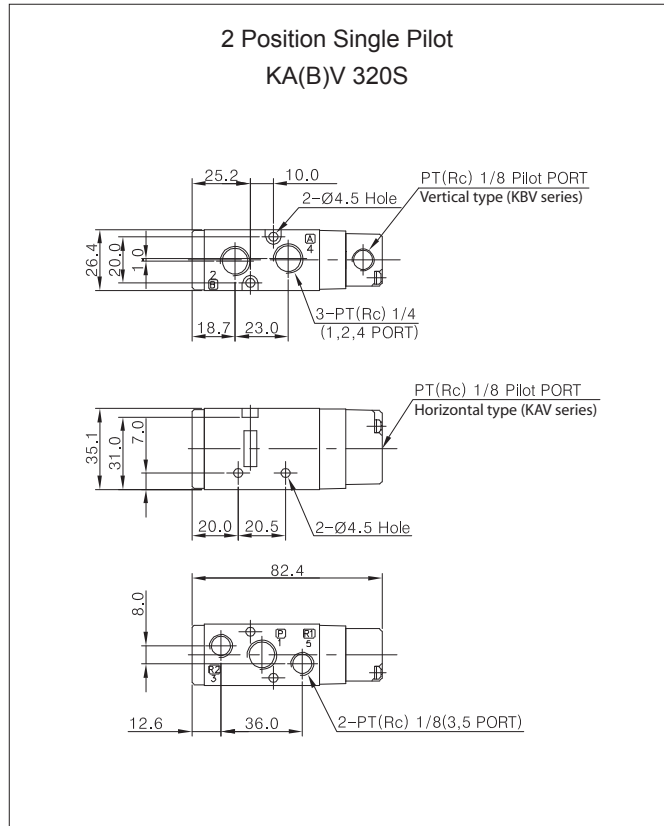
- Excellent durability with its non-lubricated type.
- Easy to mount and to maintain with its light weight and small size.
- Fast response with its low pressure pilot.
- Easy to install if horizontal type(KAV) or vertical type(KBV) is selected depending on installation direction.

Structure



Part no.	Parts	Material
1	Cover	Metal
2	Spool Spring	SUS
3	Body	AL D/C
4	Spool Ass'y	AL & Others
5	Pilot	Plastic Resin
6	Piston	Plastic Resin
7	Adapter Plate	Metal

Dimensions



Dimensions

