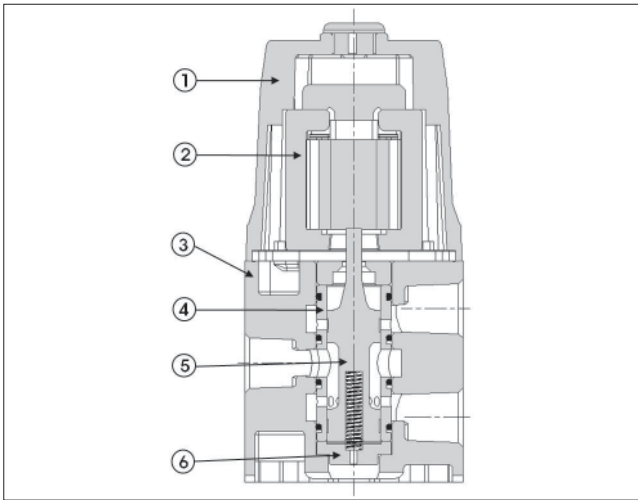


Structure



Part no.	Parts	Material
1	Housing	AL D/C
2	Coil	CU & Others
3	Body	AL D/C
4	Sleeve	SUS
5	Spool	SUS
6	Spool S/P Cover	Plastic Resin

Dimensions

