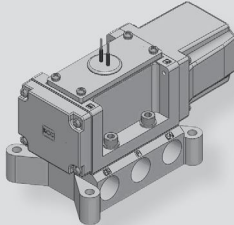
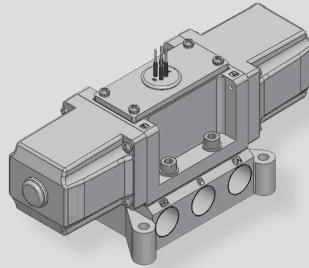


KS4000 series



KS4130-042G



KS4230-042G

Pneumatic Solenoid Valve

KS3135

KS4000

KSP3135

KSP4000

KT307
KMF307

KT317

KA(B)V105

KA(B)V210

KA(B)V320

KA(B)V530

KA(B)V640

KA(B)V524

KA(B)V534

KA(B)V341

KA(B)V342

KPA(B)542

How to Order

KS 4 1 30 - 04 2 G

①
②
③
④

① Port type

Nil	Rc(PT) (Standard)
G	G

③ Port size

03	3/8
04	1/2

② Function

Function	Symbol
1 Single acting	
2 Double acting	
3 Exhaust center	
4 Closed center	

④ Voltage

1	AC 100/110V (50/60Hz)
2	AC 200/220V (50/60Hz)

*ISO standard notation, 1:P, 2:B, 3:EB, 4:A, 5:EA.

Specifications

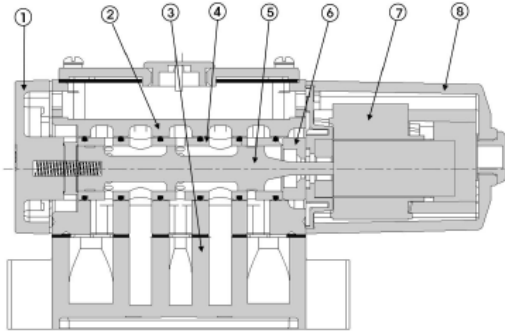
Type	KS4130	KS4230, KS4330, KS4430
Fluid	Air, Vacuum, Inert gas	
Port size	Rc(PT) 3/8, 1/2, G 3/8, 1/2	
Effective sectional area Smm ² (Cv)	Rc(PT) 3/8	43mm ² (2.4)
	Rc(PT) 1/2	49mm ² (2.72)
Operating pressure	0~10kgf/cm ² (0~1MPa)	
Max. operating frequency	5 cycle/sec	3 cycle/sec
Response time {at 5kgf/cm ² (0.5MPa)}	≤ 30ms	
Lubrication	Not required	
Power consumption	Starting	100/90VA (50/60Hz)
	Holding	20/14VA (50/60Hz)
Allowable voltage	±10% rated voltage	
Ambient temperature	-20℃ ~ 50℃	
Fluid temperature	5℃ ~ 60℃	
Coil insulation	Class B	
Weight	1,440g	1,830g

Features

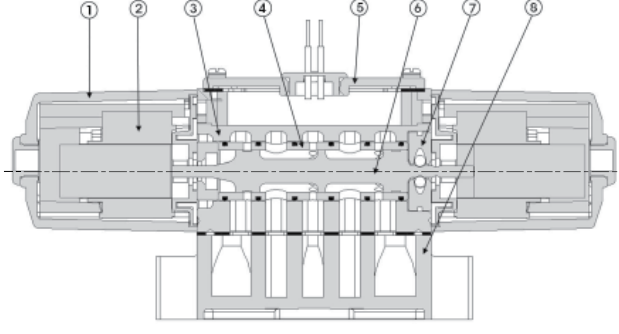
- Direct acting type
- Large capacity valve can be used in combination with large actuator.
- Non-lubrication type and with dust proof metal sealing.
- Due to the balance spool type neither of the ports being supplied with pressure will affect the valve operation. .

Structure

KS 4130



KS 4230

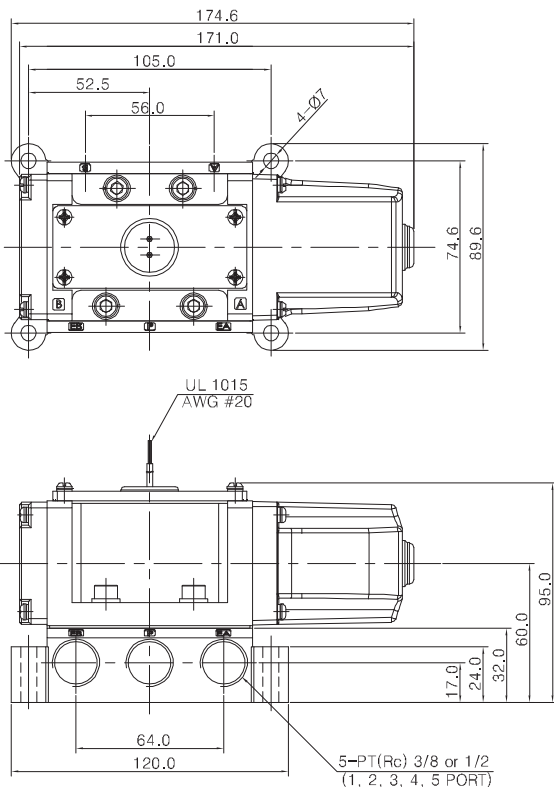


Part no.	Parts	Material
1	Side Cover	AL D/C
2	Body	AL D/C
3	Sub Plate	AL D/C
4	Sleeve	SUS
5	Spool	SUS
6	Sleeve Cover	Plastic Resin
7	Coil	CU & Others
8	Housing	AL D/C

Part no.	Parts	Material
1	Housing	AL D/C
2	Coil	CU & Others
3	Body	AL D/C
4	Sleeve	SUS
5	Upper Cover	AL D/C
6	Spool	SUS
7	Spool Holder	Plastic Resin
8	Sub Plate	AL D/C

Dimensions

KS 4130-○○G



KS 4230-○○G

