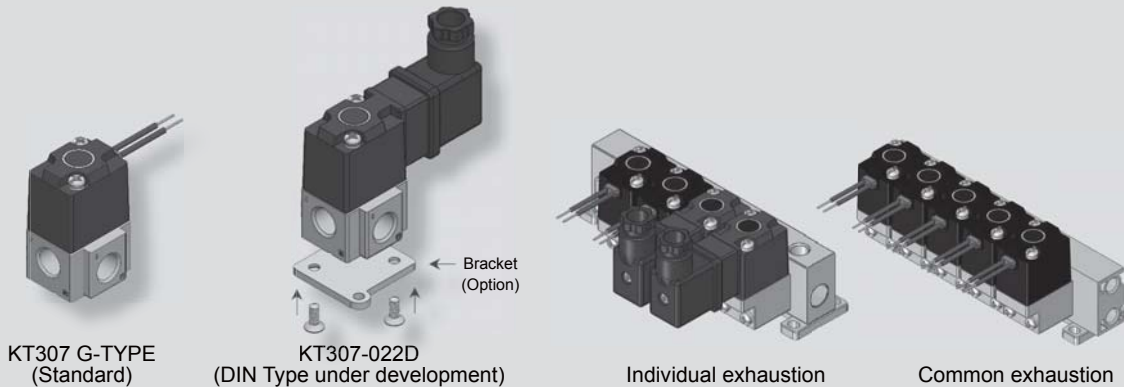


KT307 series



How to Order



① Type

| | |
|---|------------------------------|
| T | Direct attach type |
| O | Manifold block attached type |

② Port type

| | |
|-----|-------------------|
| Nil | Rc(PT) (Standard) |
| G | G |

③ Function

| Function | Symbol | Function | Symbol |
|----------|--------|---|--------|
| Nil | | Vacuum + Air 1Port - Vacuum 3Port - Air | |
| V | | V | |
| | | | |
| | | Air + Vacuum 1Port - Air 3Port - Vacuum | |

④ Port size

| | |
|----|------------|
| 01 | Rc(PT) 1/8 |
| 02 | Rc(PT) 1/4 |

⑤ Voltage

| | |
|---|---------------------|
| 1 | AC 100/110V 50/60Hz |
| 2 | AC 200/220V 50/60Hz |
| 3 | DC 24V |
| 4 | DC 12V |

⑥ Electrical connection

| | |
|---|--------------------------------|
| G | (Standard) Lead wire - ≥ 300mm |
|---|--------------------------------|

※ Different wire length is available upon request.

⑦ Option

| | |
|-----|--------------------------|
| Nil | Without mounting bracket |
| B | With mounting bracket |

⑧ Number of valves on manifold block

| | |
|----|--------|
| 02 | 2 pcs |
| 03 | 3 pcs |
| ~ | ~ |
| 19 | 19 pcs |
| 20 | 20 pcs |

※ Only for KO series.

⑨ Exhaust port

| | |
|---|-------------------------|
| 2 | Common exhaust port |
| 3 | Individual exhaust port |

※ Only for KO series.

Specifications

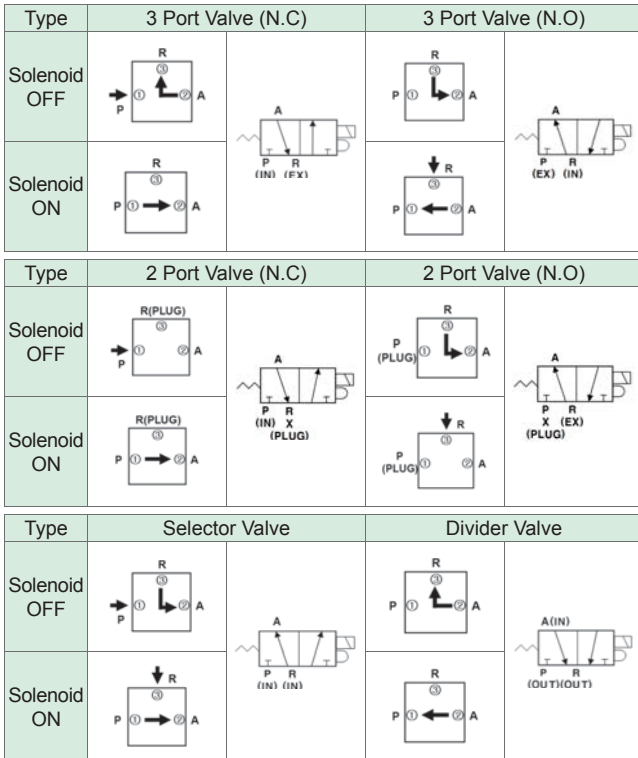
| | | | |
|---|----------------------------|---------------------|-------------------------|
| Fluid | Air, Vacuum, Inert gas | Manual Override | Non-locking push button |
| Port size | Rc(PT) 1/8, 1/4, G1/8, 1/4 | Power consumption | 4.6W |
| Effective sectional area Smm ² (Cv) | 3.2mm ² (0.18) | AC | 13/10VA (50/60Hz) |
| Operating pressure | Air | Allowable voltage | ±10% rated voltage |
| | Vacuum | Ambient temperature | -10℃~50℃ |
| Max. operating frequency | 10 cycle/sec | Fluid temperature | 5℃~80℃ |
| Response time {at 5kgf/cm ² (0.5MPa)} | ≤ 20ms | Coil insulation | Class F |
| Lubrication | Not required | Weight | 162g |

Features

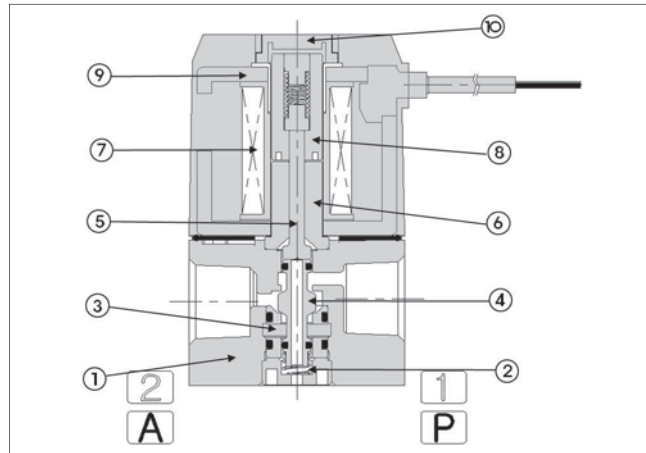
- A single valve with 6 valve functions. (Universal porting type)
- Continuous high frequency operation available. (Max.10C/S)
- Burn proof structure, long service life.
- With the structure of a valve preventing fixation and resistant to dust, it operates perfectly.

Solenoid Valve(3 Port Poppet/Universal Port)

Applications

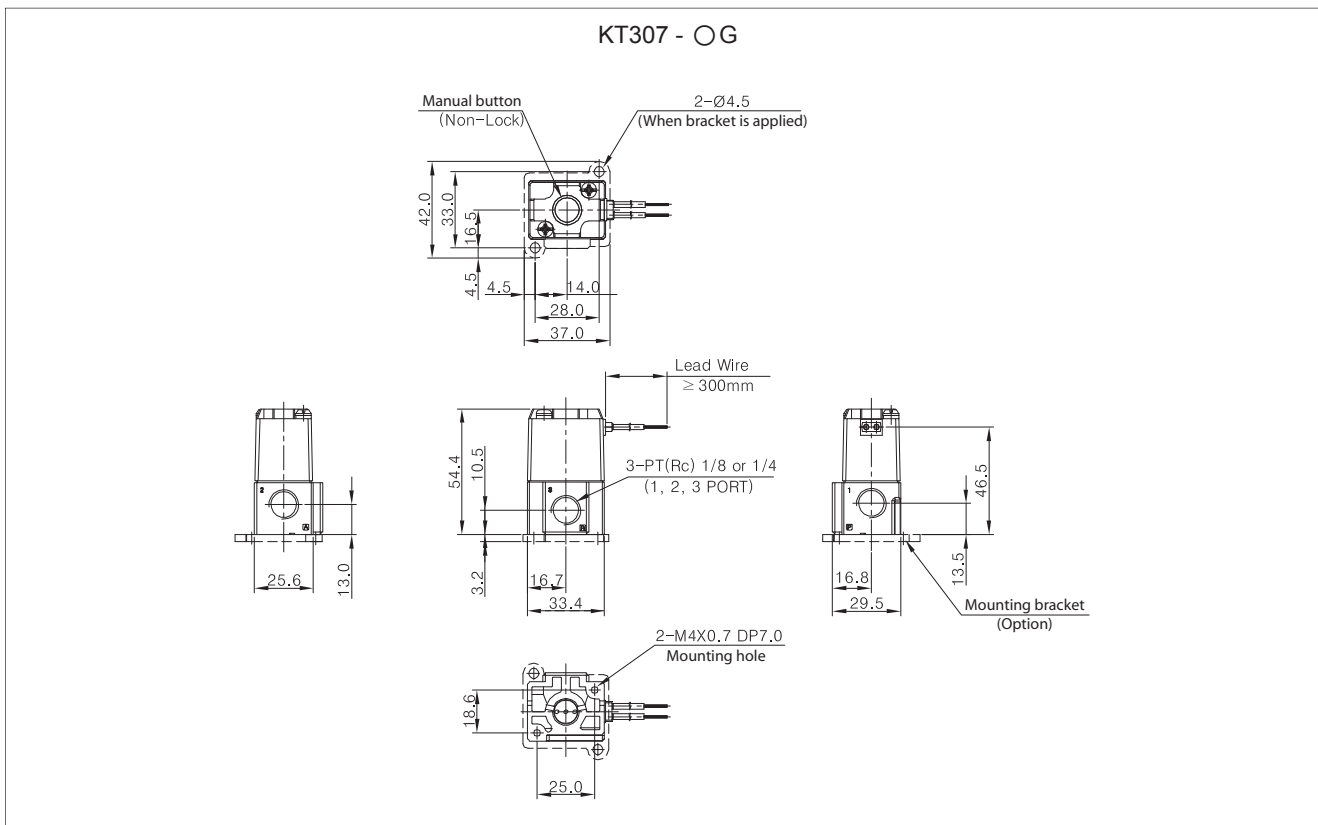


Structure



| Part no. | Parts | Material |
|----------|--------------|------------------|
| 1 | Body | AL D/C |
| 2 | Spool Spring | SUS |
| 3 | Seat | Metal |
| 4 | Spool Ass'y | AL & Others |
| 5 | Stopper Pin | Stainless Steel |
| 6 | Stopper | Stainless Steel |
| 7 | Coil Ass'y | CU & Others |
| 8 | Plunger | Stainless Steel |
| 9 | Yoke | SPC |
| 10 | Button | Synthetic Rubber |

Dimensions



Pneumatic Solenoid Valve

KS3135

KS4000

KSP3135

KSP4000

KT307
KMF307

KT317

KA(B)V105

KA(B)V210

KA(B)V320

KA(B)V530

KA(B)V640

KA(B)V524

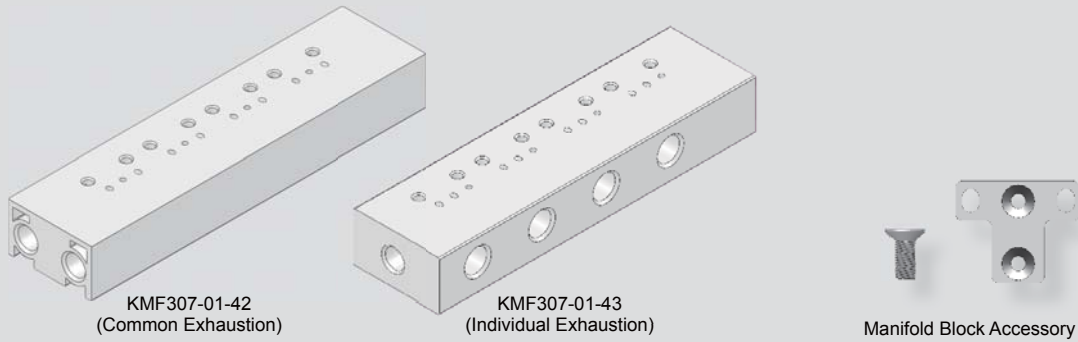
KA(B)V534

KA(B)V341

KA(B)V342

KPA(B)542

KMF307 Manifold Block



How to Order

KMF307 - ① - ② - ③ - ④

① Series

| | | |
|---------|--|----------------------|
| KMF307 | 3 Port manifold block for KO307 series | Rc(PT) (Standard) |
| KMFG307 | | G |

③ Station

| | | | | | |
|---|------------|---|------------|----|-------------|
| 2 | 2 Stations | 6 | 6 Stations | 10 | 10 Stations |
| 3 | 3 Stations | 7 | 7 Stations | 11 | 11 Stations |
| 4 | 4 Stations | 8 | 8 Stations | 12 | 12 Stations |
| 5 | 5 Stations | 9 | 9 Stations | | |

② Port size

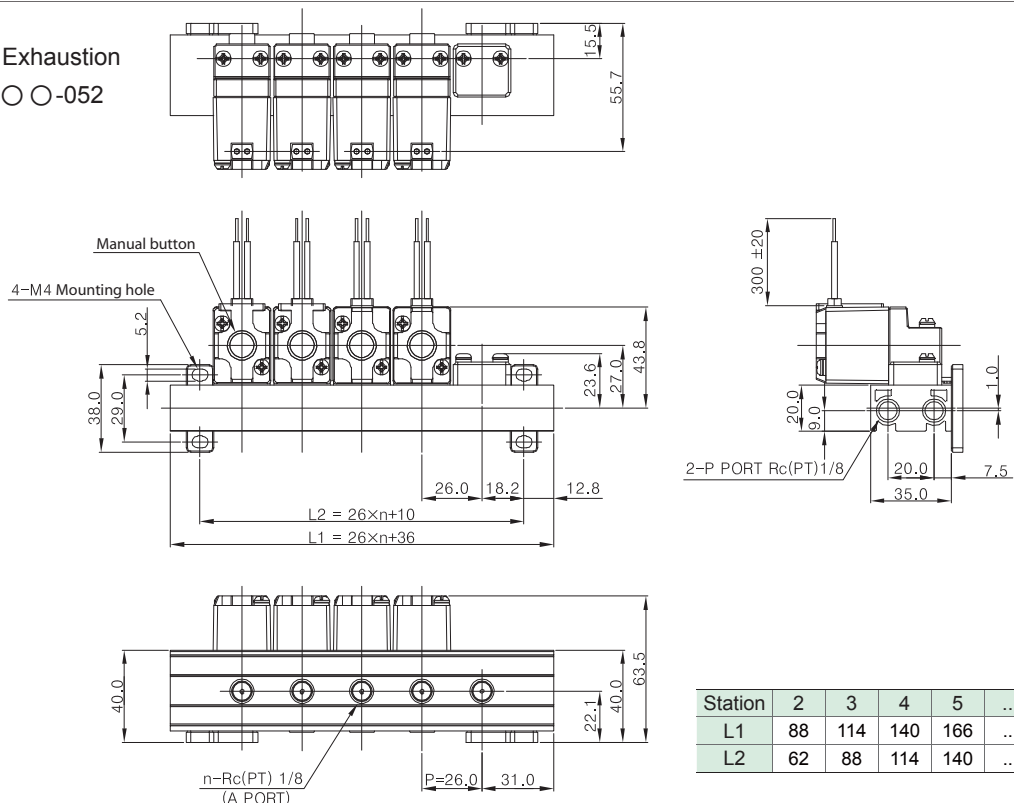
| | |
|----|-----|
| 01 | 1/8 |
| 02 | 1/4 |

④ Exhaust port

| | |
|---|-------------------------|
| 2 | Common exhaust port |
| 3 | Individual exhaust port |

Dimensions

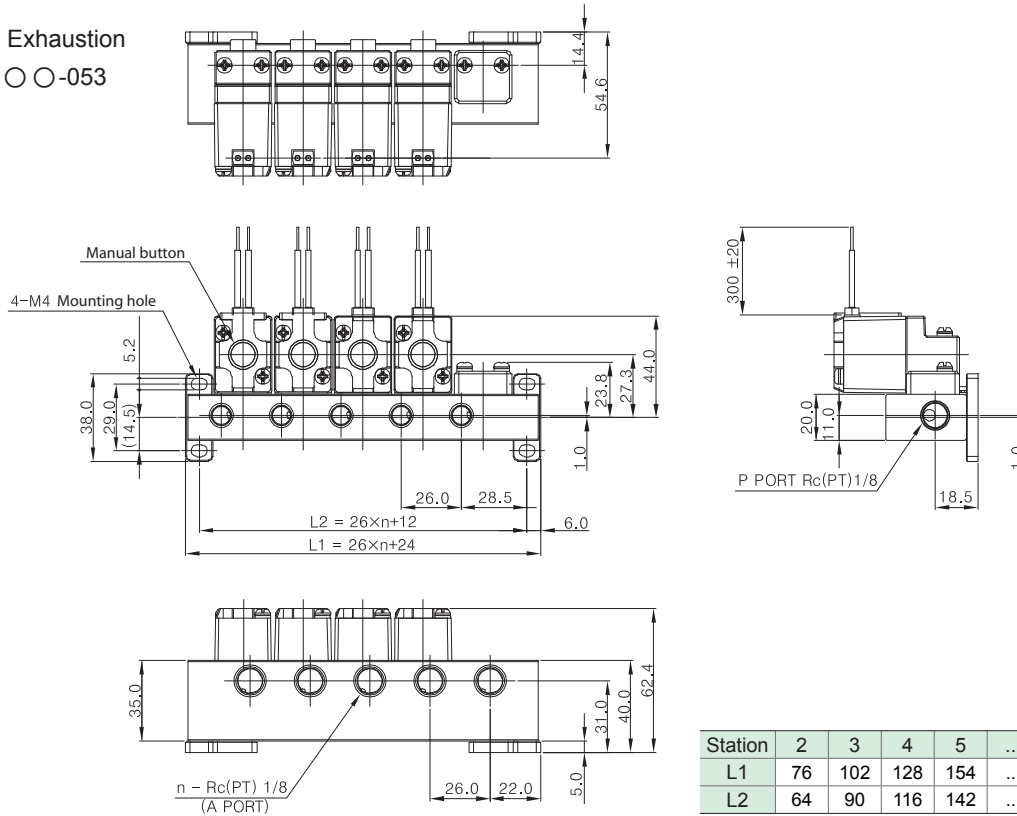
Common Exhaustion
KO307-○ ○-052



| Station | 2 | 3 | 4 | 5 | ... | 19 | 20 |
|---------|----|-----|-----|-----|-----|-----|-----|
| L1 | 88 | 114 | 140 | 166 | ... | 530 | 556 |
| L2 | 62 | 88 | 114 | 140 | ... | 504 | 530 |

Dimensions

Individual Exhaustion
KO307-○ ○-053



| Station | 2 | 3 | 4 | 5 | ... | 19 | 20 |
|---------|----|-----|-----|-----|-----|-----|-----|
| L1 | 76 | 102 | 128 | 154 | ... | 518 | 544 |
| L2 | 64 | 90 | 116 | 142 | ... | 506 | 532 |

Pneumatic Solenoid Valve

KS3135

KS4000

KSP3135

KSP4000

KT307
KMF307

KT317

KA(B)V105

KA(B)V210

KA(B)V320

KA(B)V530

KA(B)V640

KA(B)V524

KA(B)V534

KA(B)V341

KA(B)V342

KPA(B)542